



AMERICAN SPECIALTIES, INC.

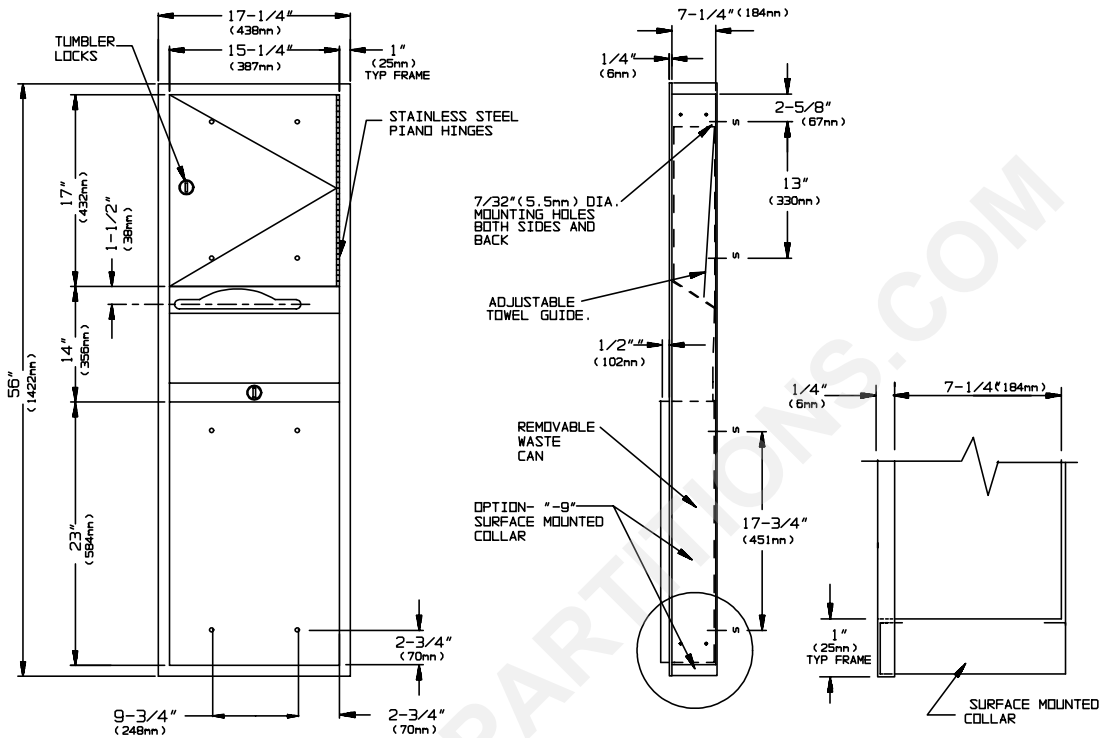
441 Saw Mill River Road, Yonkers, NY 10701 (914) 476-9000

MODEL No: 04697-9

ISSUED: 1-87

REVISED: 9-04

SURFACE MOUNTED PAPER TOWEL DISPENSER AND WASTE RECEPTACLE



SPECIFICATION

Surface Mounted Paper Towel Dispenser and Waste Receptacle shall hold and dispense 600 C-fold, 800 multi-fold or 1100 single-fold paper towels and shall have a disposal capacity 12 gal (46 liters). Unit shall be fabricated of alloy 18-8 stainless steel, type 304, 22 gauge with N° 4 satin finish and be protected during shipment with a PVC film easily removable after installation. Adjustable guide shall be provided to allow dispensing of multi-fold or C-fold paper towels. Face trim shall be one piece construction with no miters or welding and shall be 1" (25.4mm) wide and have 1/4" (6.35mm) square return to surround collar. Cabinet shall have no exposed fastening devices or spot welded seams. Dispenser door shall be double pan construction with No-Flex core and shall be mounted to cabinet body on a 3/16" (4.8mm) dia. heavy duty stainless steel multi-staked piano hinge. Dispenser door and disposal unit shall have tumbler locks keyed alike to other ASI washroom equipment. Unit shall be provided with SM collar to convert to surface mounting.

Surface Mounted Paper Towel Dispenser and Waste Receptacle shall be Model N° 04697-9 as manufactured by American Specialties, Inc., 441 Saw Mill River Road, Yonkers, New York 10701-4913.

INSTALLATION

For general utility mount unit 16" (106mm) above finished floor (AFF) from bottom of unit. Secure unit to wall with N° 10 self-tapping screws (by others) through concealed mounting holes. For compliance with ADA Accessibility Guidelines, install unit so that towel dispenser slot is 54" (1372mm) maximum AFF if clear floor side reach access is provided. or 48" (1219mm) maximum AFF if clear forward reach access is only provided. SM collar is installed on cabinet prior to mounting on wall following procedure described on SM Collar Data Sheet.

OPERATION

Paper towels are manually withdrawn through dispensing slot. An adjustable towel adapter ensures that towels feed properly until depleted. Dispenser is refilled by unlocking door and replacing towels for an empty or partially empty unit. Dispenser supply is replenished on cycle determined by maintenance needs.

OPTION

See OPTIONS section for available combinations of configurations.

Accessory Specialties

AMERICAN DISPENSER

Desert Ray Products

WATROUS INC.