



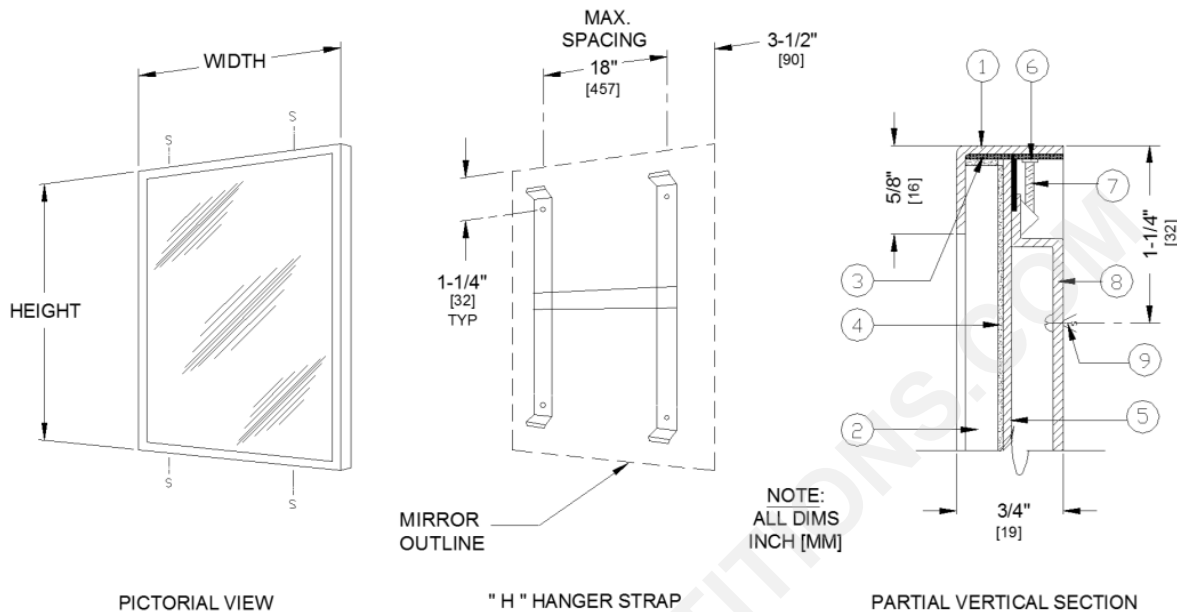
AMERICAN SPECIALTIES, INC.
 441 Saw Mill River Road, Yonkers, NY 10701
 (914) 476.9000 • (914) 476.0688
 www.americanspecialties.com

MODEL No: 0600

ISSUED: 01/87

REVISED: 19 FEB 2018

INTER-LOK STAINLESS STEEL FRAMED MIRROR



DESCRIPTION

- | | |
|--|---|
| 1. 18 GAUGE STAINLESS STEEL FRAME | 6. MOUNTING NUT |
| 2. 1/4"(6mm) PLATE GLASS MIRROR | 7. TAMPERPROOF MOUNTING & LOCKING SCREWS 10-32 X 1-1/4"(32mm) |
| 3. SHOCK-ABSORBING EDGE CUSHION | 8. HANGER STRAP- 18 GAUGE |
| 4. NON-ABSORBENT FILLER | 9. INSTALLATION SCREW-FURNISHED BY INSTALLER |
| 5. 20 GAUGE CORROSION PROTECTED STEEL BACK | |

SPECIFICATION

Inter-Lok Stainless Steel Framed Mirror shall have frame fabricated of alloy 18-8 stainless steel, type 304, 18 gauge with mitered corners welded and polished. All exposed surfaces shall be N^o 4 satin finish. Mirror glazing shall be _____ (insert glazing option) and shall be warranted for 15 years against silver spoilage. All edges of mirror shall be protected with friction and chafe absorbing fillers. Back of mirror shall be protected by full size shock-absorbing water-resistant filler and full size one piece 20 gauge corrosion protected steel. An 18 gauge corrosion protected steel 'H' bracket shall be supplied. Mirror shall be secured to vertical bracket with corrosion protected allen head locking screws furnished.

Inter-Lok Stainless Steel Framed Mirror shall be Model N^o 0600-_____ (insert glazing option) _____ (note size W x H) as manufactured by American Specialties, Inc., 441 Saw Mill River Road, Yonkers, New York 10701-4913

MATERIALS

Frame: 18-8, type 304, 18gauge (.048 in. <1.2mm> thick) stainless steel. Unitized all welded construction. Corners mitered, welded and polished. Exposed surfaces shall have a N^o 4 satin finish. Edges and corners are burr free.

Glass: Standard glazing is N^o1 quality, 1/4" inch (6.4mm) thick plate/float, silver coated and hermetically sealed with a uniform coating of electrolytic copper plating, and warranted against silver spoilage for 15 years. Mirrors meet Federal Spec DD-M-411C, ASTM C-1503, and ASTM C-1036-91.

Filler: Expanded polyethylene microcell foam sheet material, abrasion resistant and shock absorbing, water resistant, 1/8" inch (3.2mm) total layer thickness.

INSTALLATION

Install bracket level and plumb as per diagram location using N^o10 self tapping screws (by others). Hang mirror on bracket and tighten locking screws at top & bottom. For compliance with 2010 ADA Accessibility Guidelines, bottom edge of reflecting surface should be no higher than 40" (1016mm) above finished floor.

GLAZING OPTIONS

Units are supplied with 1/4" thick plate glass. Other glazing options are available. For a complete description, see the **MIRROR GLAZING OPTIONS** chart.



AMERICAN SPECIALTIES, INC.
 441 Saw Mill River Road, Yonkers, NY 10701
 (914) 476.9000 • (914) 476.0688
 www.americanspecialties.com

MODEL №:	GLAZINGS
ISSUED:	1-87
REVISED:	22 MAY 2014

MIRROR GLAZING OPTIONS

GLAZING SUFFIX	DESCRIPTION
A	Plate Glass - 1/4" (6.4mm) thick № 1 quality polished, silver coated and hermetically sealed with a uniform coating of electrolytic copper plating. Mirrors meet Federal Spec. № DD-M-411C, ASTM C-1503 and ASTM-C-1036-91. Image quality: Excellent
B (1,2,3)	Tempered Glass - 1/4" (6.4mm) thick polished tempered glass with two coats of silver applied. Electroplating with a heavy uniform coating of copper hermetically seals the silver. Back of mirror is finished and protected with a thick coat of heavy waterproof paint. Glazing meets Federal Specification № DD-G1403B, Amendment 1, ASTM C-1503 and ASTM-C-1048-92. Image quality: Good
C (1,2,3)	Metal Mirrors - Shall be Type 304 alloy 18-8 stainless steel, 20 gauge polished to a № 8 mirror finish. Image quality: Good
D (1)	Lexan Dura-Mirror - 1/4" (6.4mm) thick polycarbonate sheet, highly impact resistant. Mirror face is provided with a thick removable masking to prevent scratching during installation. Image quality: Very Good
E (1)	Plexiglas® - Shall be 1/4" (6.4mm) thick acrylic plastic, lightweight and highly shock resistant. Image quality: Very Good
L (1)	Mirror is fabricated with an interlayer of 1/32" (.8mm) thick vinyl bonded between two 1/8" (3mm) thick sheets of № 1 quality polished plate glass with back silver coated and hermetically sealed with a uniform coating of electrolytic copper plating. Back of mirror is finished and protected with a thick coat of heavy-duty waterproof paint. Laminated glass meets the performance criteria of Federal Spec. № DD-M-451 and ANSI Z87.1 specifications and complies with CPSC standards 16 CR 1201 (1) 11. Image quality: Excellent

NOTES

1. Glazing types indicated are particularly suited to applications where frequent breakage and/or security problems exist. These surfaces are best specified for use in prisons, schools, police stations, hospital wards, etc., where shards of broken glass might possibly be used as weapons.
2. The reflective quality of these mirror types is not as true as plate glass.
3. ASI will not accept returns of these mirror types based upon claims of distortion in reflective properties.