



AMERICAN SPECIALTIES, INC.
441 Saw Mill River Road, NY 10701
(914) 476.9000 • (914) 476.0688
www.americanspecialties.com

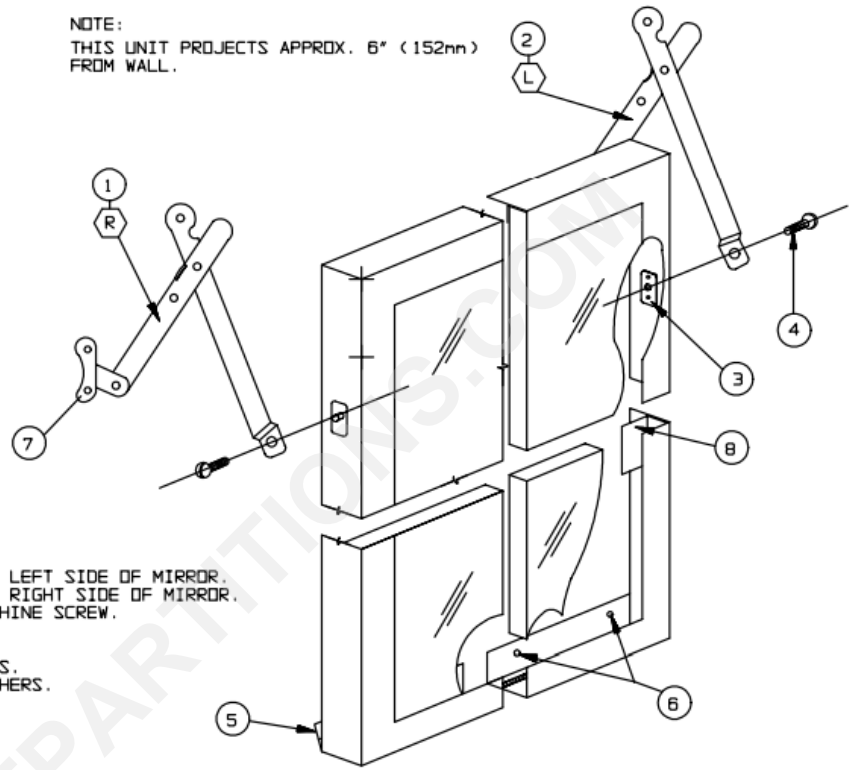
MODEL No: 0600-T

ISSUED: 01/87

REVISED: 19 FEB 2018

INTER-LOCK TILTING STAINLESS STEEL FRAMED MIRROR

NOTE:
THIS UNIT PROJECTS APPROX. 6" (152mm)
FROM WALL.



DESCRIPTION-

1. R - STAINLESS STEEL BRACKET MARK R. TO BE USED ON LEFT SIDE OF MIRROR.
2. L - STAINLESS STEEL BRACKET MARK L. TO BE USED ON RIGHT SIDE OF MIRROR.
3. WELDED NUT ON INSIDE OF FRAME TO RECEIVE 8-32 MACHINE SCREW.
4. 8-32 MACHINE SCREWS.
5. CONTINUOUS PIANO HINGE ACROSS WIDTH OF FRAME.
6. MOUNTING HOLES ON HINGE - SECURED TO WALL BY OTHERS.
7. MOUNTING HOLES ON BRACKETS - SECURED TO WALL BY OTHERS.
8. CLIPS FOR HOLDING MIRROR.

SPECIFICATION

Inter-Lock Tilting Stainless Steel Framed Mirror shall have frame fabricated of alloy 18-8 stainless steel, type 304, 18 gauge with mitered corners, welded and ground smooth. All exposed surfaces shall be No. 4 satin finish. Tilting control brackets shall be fabricated of stainless steel and shall allow mirror to tilt forward for barrier free utility or hold mirror vertical for normal viewing. Mirror shall have a full length stainless steel 3/16" (5mm) dia. multi-staked piano hinge welded to frame at bottom back edge. Mirror glazing shall be _____ (insert glazing option) and shall be warranted for 15 years for silver spoilage. All mirror edges shall be protected with friction and chafe absorbing fillers. Back of mirror shall be protected by full size shock absorbing water-resistant filler and full size one piece 20 gauge corrosion protected steel.

Inter-Lok Tilting Stainless Steel Framed Mirror shall be Model No 0600-T _____ (insert glazing option) as manufactured by American Specialties, Inc., 441 Saw Mill River Road, Yonkers, New York 10701-4913.

MATERIAL

Frame: 18-8, type 304, 18 gauge (.048 in. thick) stainless steel. Unitized all welded construction. Exposed surfaces have satin finish. Edges and corners are burr free

Glass: Standard glazing is No 1 quality, 1/4 "inch (6mm) thick plate/float, silver coated and hermetically sealed with a uniform copper plating, and warranted against spoilage for 15 years. Mirrors meet Federal Spec. DD-M411C, ASTM C-1036-91.

Filler: Expanded polyethylene microcell foam sheet material, abrasion resistant and shock absorbing, water resistant, 1/8" inch (3mm) total layer thickness.

Brackets: Stainless steel alloy 18-8, type 304, 16 gauge, rounded edges with stainless steel hinge pivot and internal lock.

INSTALLATION

Place brackets right and left of mirror frame using No 8-32 machine screws (supplied). Secure piano hinge to wall with No 10 self tapping screws (by others). Mount pivot brackets to wall. For compliance with 2010 ADA Accessibility Standards, bottom edge of reflecting surface should be no higher than 40" (1016mm) above finished floor (A.F.F.).

GLAZING OPTIONS

Units are supplied with 1/4" (6mm) thick plate glass. Other glazing options are available. For a complete description of any other available glazing, see the **MIRROR GLAZING OPTIONS** chart.



AMERICAN SPECIALTIES, INC.
 441 Saw Mill River Road, Yonkers, NY 10701
 (914) 476.9000 • (914) 476.0688
 www.americanspecialties.com

MODEL №:	GLAZINGS
ISSUED:	1-87
REVISED:	22 MAY 2014

MIRROR GLAZING OPTIONS

GLAZING SUFFIX	DESCRIPTION
A	Plate Glass - 1/4" (6.4mm) thick № 1 quality polished, silver coated and hermetically sealed with a uniform coating of electrolytic copper plating. Mirrors meet Federal Spec. № DD-M-411C, ASTM C-1503 and ASTM-C-1036-91. Image quality: Excellent
B (1,2,3)	Tempered Glass - 1/4" (6.4mm) thick polished tempered glass with two coats of silver applied. Electroplating with a heavy uniform coating of copper hermetically seals the silver. Back of mirror is finished and protected with a thick coat of heavy waterproof paint. Glazing meets Federal Specification № DD-G1403B, Amendment 1, ASTM C-1503 and ASTM-C-1048-92. Image quality: Good
C (1,2,3)	Metal Mirrors - Shall be Type 304 alloy 18-8 stainless steel, 20 gauge polished to a № 8 mirror finish. Image quality: Good
D (1)	Lexan Dura-Mirror - 1/4" (6.4mm) thick polycarbonate sheet, highly impact resistant. Mirror face is provided with a thick removable masking to prevent scratching during installation. Image quality: Very Good
E (1)	Plexiglas® - Shall be 1/4" (6.4mm) thick acrylic plastic, lightweight and highly shock resistant. Image quality: Very Good
L (1)	Mirror is fabricated with an interlayer of 1/32" (.8mm) thick vinyl bonded between two 1/8" (3mm) thick sheets of № 1 quality polished plate glass with back silver coated and hermetically sealed with a uniform coating of electrolytic copper plating. Back of mirror is finished and protected with a thick coat of heavy-duty waterproof paint. Laminated glass meets the performance criteria of Federal Spec. № DD-M-451 and ANSI Z87.1 specifications and complies with CPSC standards 16 CR 1201 (1) 11. Image quality: Excellent

NOTES

1. Glazing types indicated are particularly suited to applications where frequent breakage and/or security problems exist. These surfaces are best specified for use in prisons, schools, police stations, hospital wards, etc., where shards of broken glass might possibly be used as weapons.
2. The reflective quality of these mirror types is not as true as plate glass.
3. ASI will not accept returns of these mirror types based upon claims of distortion in reflective properties.



AMERICAN SPECIALTIES, INC.

441 Saw Mill River Road, Yonkers, NY 10701 (914) 476-9000
www.americanspecialties.com

MODEL No: 0600-TM1

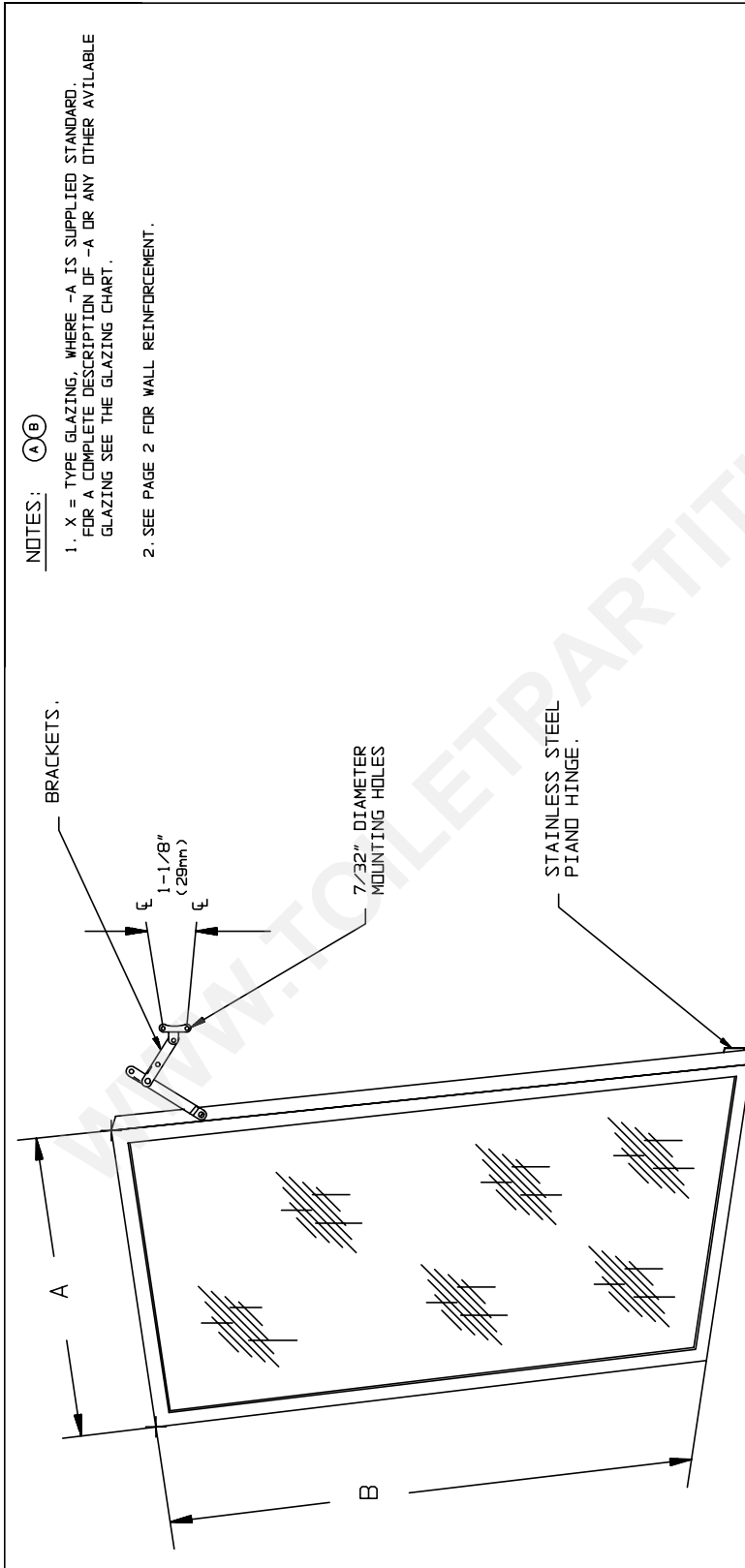
ISSUED: 1-87

REVISED: 5-07

BLOCKING AND MOUNTING GUIDE 0600-T (pg 1 of 2)

NOTES: (A) (B)

- X = TYPE GLAZING, WHERE -A IS SUPPLIED STANDARD. FOR A COMPLETE DESCRIPTION OF -A OR ANY OTHER AVAILABLE GLAZING SEE THE GLAZING CHART.
- SEE PAGE 2 FOR WALL REINFORCEMENT.



FOR NONSTANDARD A X B DIM' S, A X B MUST NOT EXCEED 42" X 48"

CUST. No.	CUSTOMER NAME	SD. No.
CUST. PD. No.		DATE
AMERICAN SPECIALTIES, INC. 441 SAW MILL RIVER ROAD, YONKERS, NY 10701-9686 TEL. (914) 476-9000 FAX. (914) 476-0688		
PROJECT NAME		
LOCATION		
ARCHITECT		
CONTRACTOR		
TITLE ORDER ENTRY FORMAT SPECIFICATION		
(A) 0600-T ADJUSTABLE TILT FRAME MIRROR		DWG. NO.
DRAWN BY JOSE V.	JOB NO.	0600-TM1
DATE 5/22/95		1 / 2

-M DIMENSIONS

B	CHART REF	HDH	3-26-07
A	REISSUE	HDH	1-21-98
I	NOTES	HDH	3-1-96
KEY	REVISION	AUTHORIZED BY	DATE

A	B	X
---	---	---



AMERICAN SPECIALTIES, INC.

441 Saw Mill River Road, Yonkers, NY 10701 (914) 476-9000
www.americanspecialties.com

MODEL No: 0600-TM2

ISSUED: 1-87

REVISED: 5-07

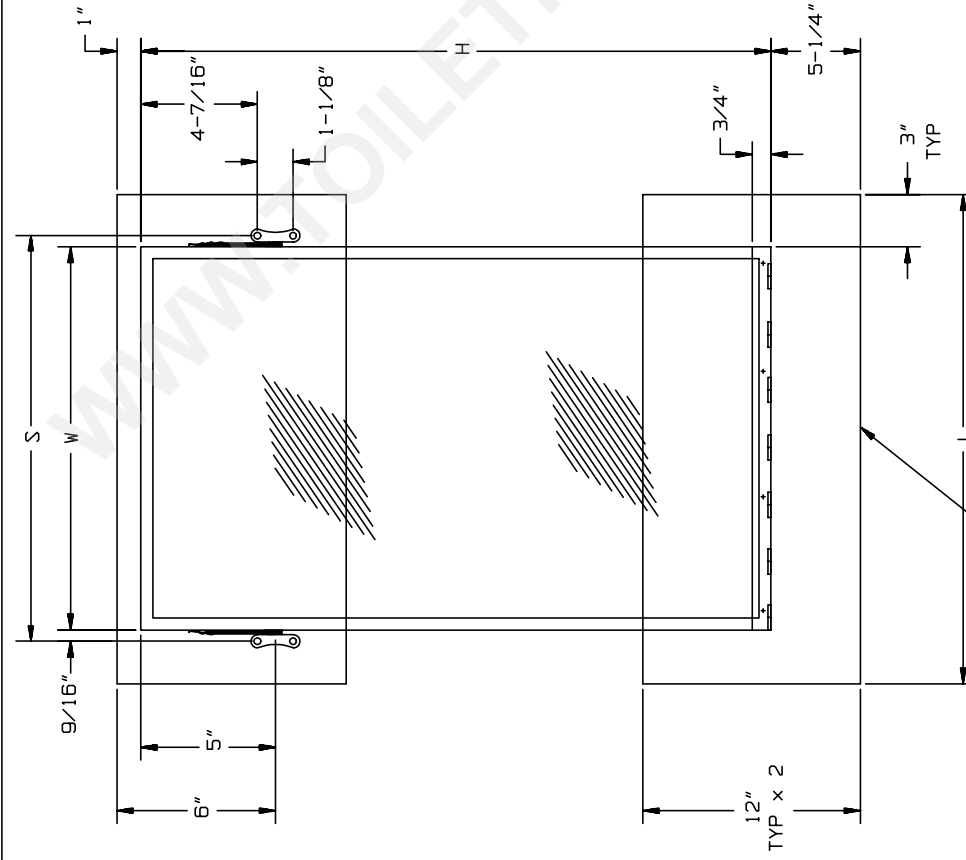
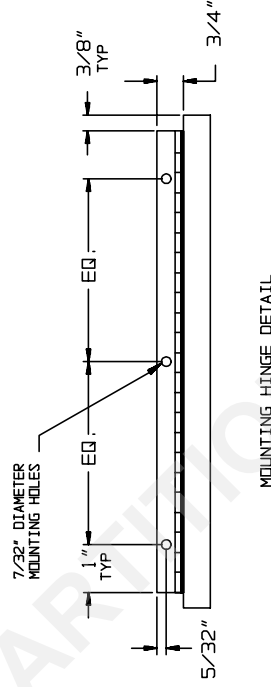
BLOCKING AND MOUNTING GUIDE 0600-T (pg 2 of 2)

TABLE OF STANDARD DIMENSIONS

SIZES	W -0"	H -1/8"	(A) S -0"	L
16" x 24"	16"	24"	17-1/8"	22"
16" x 30"	16"	30"	17-1/8"	22"
18" x 24"	18"	24"	19-1/8"	24"
18" x 30" (B)	18"	30"	19-1/8"	24"
24" x 30"	24"	30"	25-1/8"	30"
24" x 36"	24"	36"	25-1/8"	30"

INSTALLATION PROCEDURE

PLACE BRACKETS RIGHT AND LEFT OF MIRROR FRAME LISTING No. 8-32 MACHINE SCREWS (SUPPLIED), SECURE PIANO HINGE TO WALL WITH No. 10 SELF TAPPING SCREWS (SUPPLIED BY OTHERS); MOUNT PIVOT BRACKETS TO WALL WITH FOUR (4) #8 TOGGLE ANCHORS (B.O.); FOR COMPLIANCE WITH ADA ACCESSIBILITY GUIDELINES, BOTTOM EDGE OF REFLECTING SURFACE SHOULD BE NO HIGHER THAN 40" (1016) ABOVE FINISHED FLOOR.



NOTES:

1. FOR NONSTANDARD SIZES COMPUTE S=W+1-1/8"
2. FOR NONSTANDARD SIZES COMPUTE L=W+6"
3. ENSURE MOUNTING IS SECURE AND COMPLIES WITH APPROPRIATE CODES
4. SEE PAGE 1 FOR ORDER ENTRY FORMAT

CONCEALED BLOCKING TYP x 2
18 GAUGE STEEL SHEET ANCHORED TO DRYWALL STUDS

KEY	REVISION	AUTHORIZED BY	DATE	
C	SCRS	B.O.D.	HOH	1-26-07
B	CORRECTION	JAS	JAS	3-16-05
A	REISSUE	HOH	HOH	1-21-98

PROJECT NAME: _____
 LOCATION: _____
 ARCHITECT: _____
 CONTRACTOR: _____
 TITLE: (A) MOUNTING DIAGRAM FOR 0600-T SERIES
 DRAWN: JUSE V. _____
 DATE: 8/2/95
 Dwg. No.: 0600-TM2 / 2

ASI AMERICAN SPECIALTIES, INC.
 441 SAW MILL RIVER ROAD, YONKERS, NY 10701-9888
 TEL. (914) 476-9000 FAX. (914) 476-0688