



AMERICAN SPECIALTIES, INC.

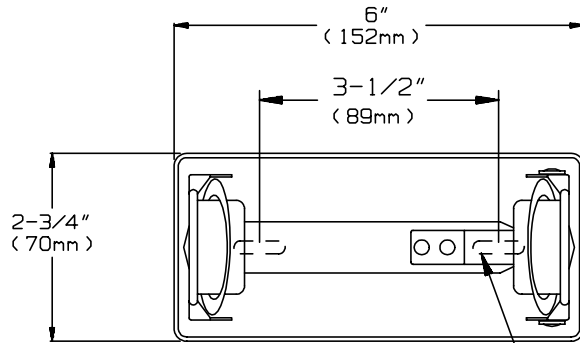
441 Saw Mill River Road, Yonkers, NY 10701 (914) 476-9000

MODEL No: 0710

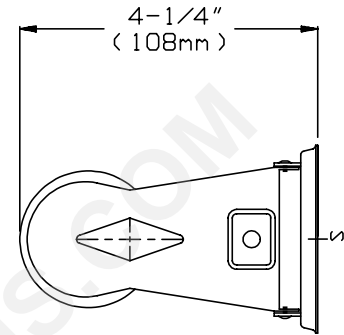
ISSUED: 1-87

REVISED: 9-04

SURFACE MOUNTED SINGLE ROLL TOILET PAPER HOLDER

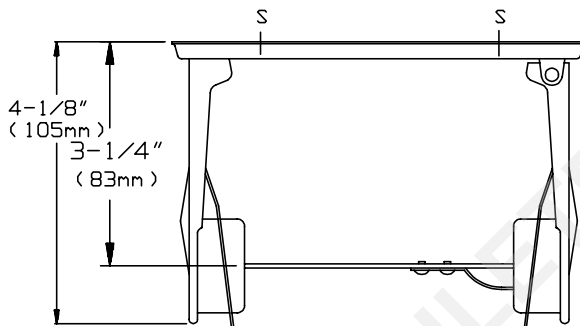


FRONT VIEW



SIDE VIEW

3/4" (19mm) x 3/16" (5mm) SLOT MOUNTING HOLES



TOP VIEW

SPECIFICATION

Surface Mounted Single Roll Toilet Paper Holder shall hold one (1) roll of standard core roll toilet paper up to 5" (127mm) dia. Unit shall be fabricated of 18 gauge high polished chrome-plated steel. A brake-spring shall provide controlled delivery of toilet paper. Roll core prevents access to release-catch spring and tissue roll shall be non-removable until tissue is depleted.

Surface Mounted Single Roll Toilet Paper shall be Model N° 0710 as manufactured by American Specialties Inc., 441 Saw Mill River Road, Yonkers, New York 10701-4913

INSTALLATION

For general utility mount unit 32" (813mm) above finished floor (AFF) from center line of holder. Surface mount holder to wall with two (2) N° 10 self tapping screws (by others) through mounting slots provided in back plate. For compliance with ADA Accessibility Guidelines, install unit so that center line of holder is 19" (483mm) minimum AFF to 44" (1118mm) maximum AFF and leading edge of roll is no farther than 36" (914mm) from back wall behind commode.

OPERATION

Toilet paper is dispensed with controlled delivery. Roll core prevents access to the release catch and must be removed to allow the end support arm to swing away for service roll replacement. Toilet paper is replaced on a cycle determined by maintenance needs.