



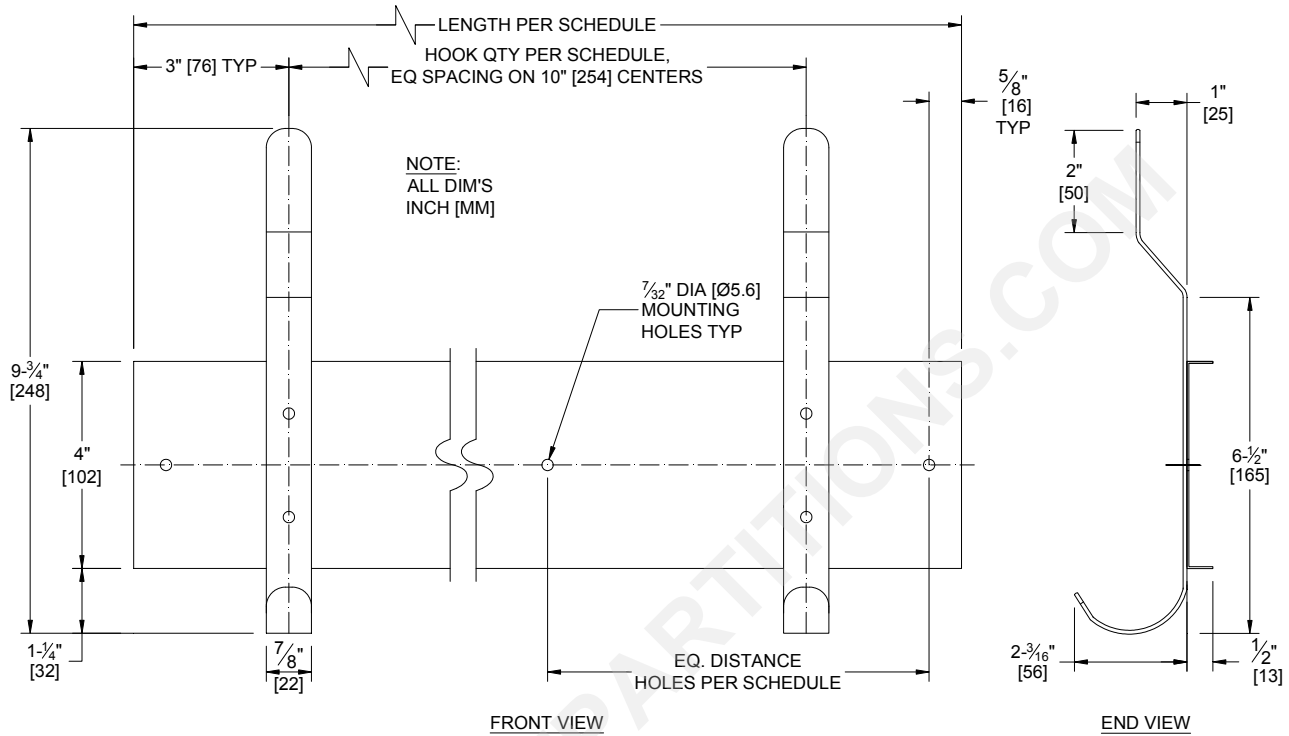
AMERICAN SPECIALTIES, INC.
 441 Saw Mill River Road, NY 10701
 (914) 476.9000 • (914) 476.0688
 www.americanspecialties.com

MODEL №: 1307

ISSUED: 01/87

REVISED: 17 APR 2012

UTILITY HOOK STRIP



SCHEDULE OF AVAILABILITY

Model №	Length inch (mm)	Hook Quantity	Mounting Holes Quantity
1307-3	26" (660)	3	2
1307-4	36" (914)	4	3
1307-5	46" (1168)	5	4
1307-6	56" (1422)	6	4

SPECIFICATION

Utility Hook Strip shall be fabricated from type 304 stainless steel, alloy 18-8. Mounting channel shall be 20 gauge with top and bottom edges returning 1/2" (13) to wall. Heavy-duty hooks shall be one piece formed of 14 gauge. All exposed surfaces shall have satin finish. Unit shall be supplied with hooks and mounting holes corresponding with length as per schedule.

Utility Hook Strip shall be Model № 1307-3 (or 1307-4 or 1307-5 or 1307-6) as manufactured by American Specialties, Inc., 441 Saw Mill River Road, Yonkers, New York 10701-4913

INSTALLATION

For general utility mount unit 72" (1829) above finished floor (AFF) from centerline of hook strip mounting holes. Surface mount unit to wall with № 10 self tapping screws (furnished by others) through straight mounting holes in strip into suitable anchors, blocking or other wall reinforcements (all by others) adequate to carry intended loads on fully utilized hooks. For compliance with 2010 ADA Accessibility Standards install unit so that top of hook is 48" (1219) maximum AFF.