



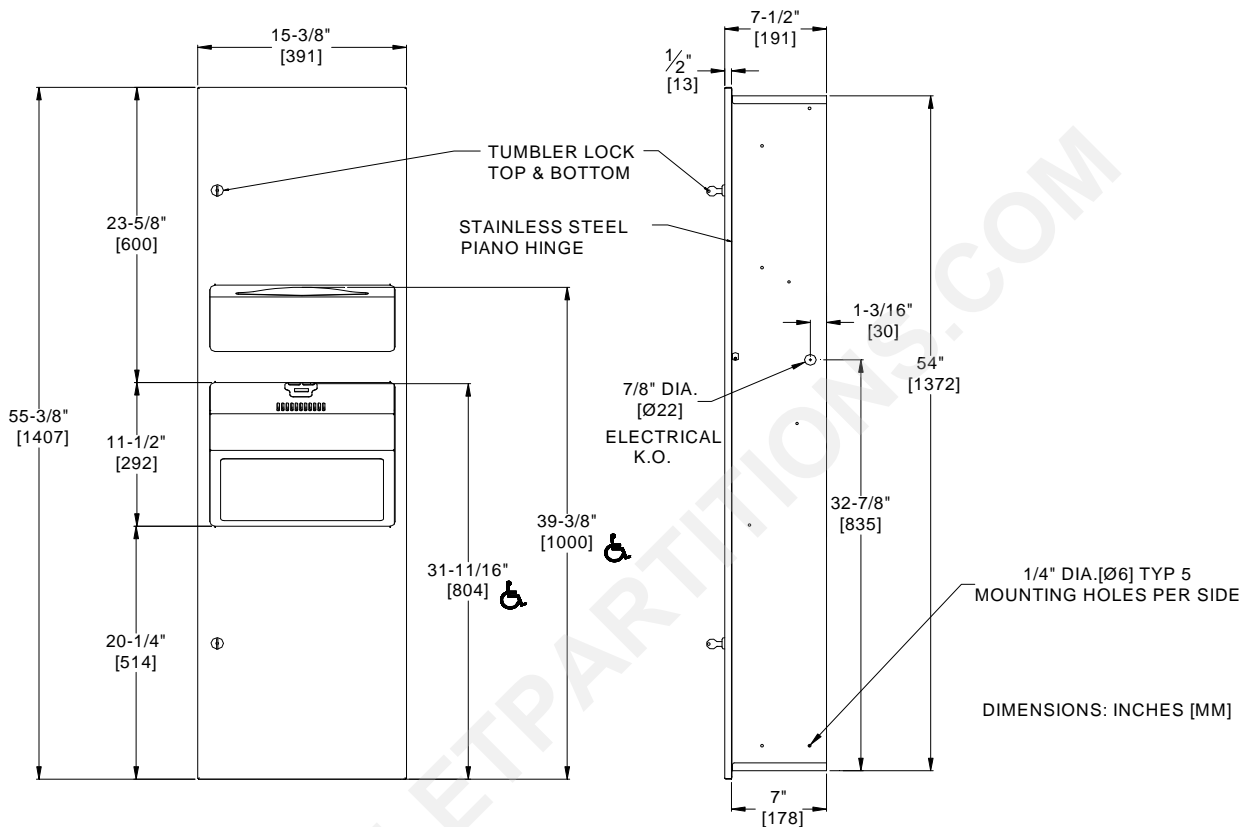
**AMERICAN SPECIALTIES, INC.**  
 441 Saw Mill River Road, Yonkers, NY 10701  
 (914) 476.9000 • (914) 476.0688  
 www.americanspecialties.com

**MODEL №: 64672-1**

**ISSUED: 27 Feb 2014**

**REVISED:**

**Recessed Combo Three-in-One Paper Towel Dispenser with Waste Receptacle and Automatic Electric Hand Dryer (Page 1 of 2)**



**SPECIFICATION**

Recessed Combo Three-in-One Paper Towel Dispenser with Waste Receptacle and Automatic Electric Hand Dryer shall hold and dispense 500 standard multi-fold or 400 standard C-fold paper towels and shall have a waste capacity of 6.8 gal (26 L). Dispensing of multi-fold or C-fold paper towels shall not require an additional adapter. Cabinet, door, dispenser and waste receptacle (WR) shall be type 304 stainless steel alloy 18-8. All exposed surfaces shall have satin finish and shall be protected during shipment by PVC film easily removable after installation. Cabinet shall be 20 gauge with a 5/8" (16) wide perimeter trim to lay flush against wall and shall have no exposed fastening devices or visible seams. Full-face door shall be 18 gauge, fabricated from one piece with no miters or seams on face and shall have 1/2" (13) square returns to the wall. Door shall be attached to cabinet body with a full length 3/16" diameter (Ø4.8) stainless steel multi-staked piano hinge and shall be held closed with two (2) tumbler locks keyed alike to other ASI washroom equipment. Towel dispensing slot shall have a fully hemmed-in rolled edge for snag-free dispensing and user safety. WR shall have piano-hinge mounted closed top with spring-hinge closed flap door and hemmed edges for safety. Structural assembly of all cabinet components shall be of welded construction. Hand Dryer shall operate automatically from IR sensor that shall activate dryer when hands are placed in sensor zone. Complete dryer specifications and warranty information is contained in the Model № 0199 TDS. Complete dryer Owner's Manual (OM) and Installation Guide (IG) shall be provided with unit.

**Recessed Combo Three-in-One Paper Towel Dispenser with Waste Receptacle and Automatic Electric Hand Dryer shall be Model № 64672-1 as manufactured by American Specialties, Inc., 441 Saw Mill River Road, Yonkers, New York, 10701-4913 USA**



**AMERICAN SPECIALTIES, INC.**  
 441 Saw Mill River Road, Yonkers, NY 10701  
 (914) 476.9000 • (914) 476.0688  
 www.americanspecialties.com

**MODEL No: 64672-1**

**ISSUED: 27 Feb 2014**

**REVISED:**

**Recessed Combo Three-in-One Paper Towel Dispenser with Waste Receptacle  
 and Automatic Electric Hand Dryer (Page 2 of 2)**

**INSTALLATION**

Unit is mounted in wall recess using № 10 (M5) self-tapping screws (by others) through concealed mounting holes provided. Recommended mounting height of 55" (1397) to centerline of towel dispenser slot requires top of Rough Wall Opening (RWO) to be 71-3/4" (1823) AFF. See unit diagram for electrical service cable rough-in location. Electric service of 110-120VAC 20A 50/60 Hz (provided by others) is brought to RWO at location indicated on diagram above and is hooked up (by others) in accordance with schematic and OM & IG provided with unit. Dryer is mounted to chassis wiring box with four (4) 1/4-20 pan head screws (provided) through bushings in heavy-duty back plate. Electrical service is connected (by Electrician) prior to installing cover. Cover is secured to back plate with recessed socket-pan-head tamper-resistant pin-hex bolts (supplied) with security pin-hex driver (supplied). Note that top of RWO is 1/2" (13) below top of unit. For compliance with 2010 ADA Accessibility Standards, install unit so that centerline of towel dispenser slot is 48" (1219) maximum above finished floor (MAX AFF).

**RWO required is 14-3/32" W x 54-3/8" H x 7-1/4" D minimum (358 x 1381 x 184)**

**OPERATION**

Paper towels are manually withdrawn through dispensing slot and feed properly until depleted. Unit will continue to feed towels properly when correctly reloaded with a partial load in place. User activates dryer by placing hands in the sensor zone indicated by graphic on door. Drying time is automatically initiated as long as movement is sensed up to a maximum of two (2) minutes to prevent accidental hold-on. Dryer automatically shuts off after time-out when hands are removed from the sensor zone. Refill dispenser by unlocking door and replacing towels for an empty or partially empty unit. Dispenser supply is replenished and waste container is emptied manually on cycles determined by maintenance needs. Locking full-face door over compartments prevents unauthorized access or removal. Full cover and spring-hinge flap door on WR prevents unsightly overloads.

| MODEL               | TYPE                       | VOLTS @ 50/60 Hz | AMPS | WATTS | DRYING TIME                        | COVER |
|---------------------|----------------------------|------------------|------|-------|------------------------------------|-------|
| 64672-1<br>(0199-1) | Fixed nozzles<br>for hands | 110 ~ 120        | 8.33 | 1000  | Automatic,<br>Less than 15 seconds | White |

| AIR SPEED<br>(MAX)                               | MOTOR  | H/P  | RPM<br>x<br>1000 | FAN TYPE                      | AIR<br>FLOW<br>(MAX)             | HEATING<br>ELEMENT   | OUTPUT AIR<br>TEMPERATURE   |
|--|--|------|------------------|-------------------------------|----------------------------------|--|---|
| 230 ft/s<br>[157 mi/h]<br>(70 m/s<br>[252 km/h]) | Brush Type Dual<br>Ball Bearings with<br>275°F (135° C) or<br>203°F (95° C) auto<br>reset circuit<br>breaker | 0.67 | 29               | Multi<br>Inlet<br>Centrifugal | 60 CFM<br>(102m <sup>3</sup> /h) | 325~450 W Nichrome<br>wire with auto reset<br>circuit breaker and<br>thermostat adjustable<br>by owner | 131° F (55° C) @ 77° F (25° C)<br>ambient room temperature<br>adjustable by owner |