



AMERICAN SPECIALTIES, INC.

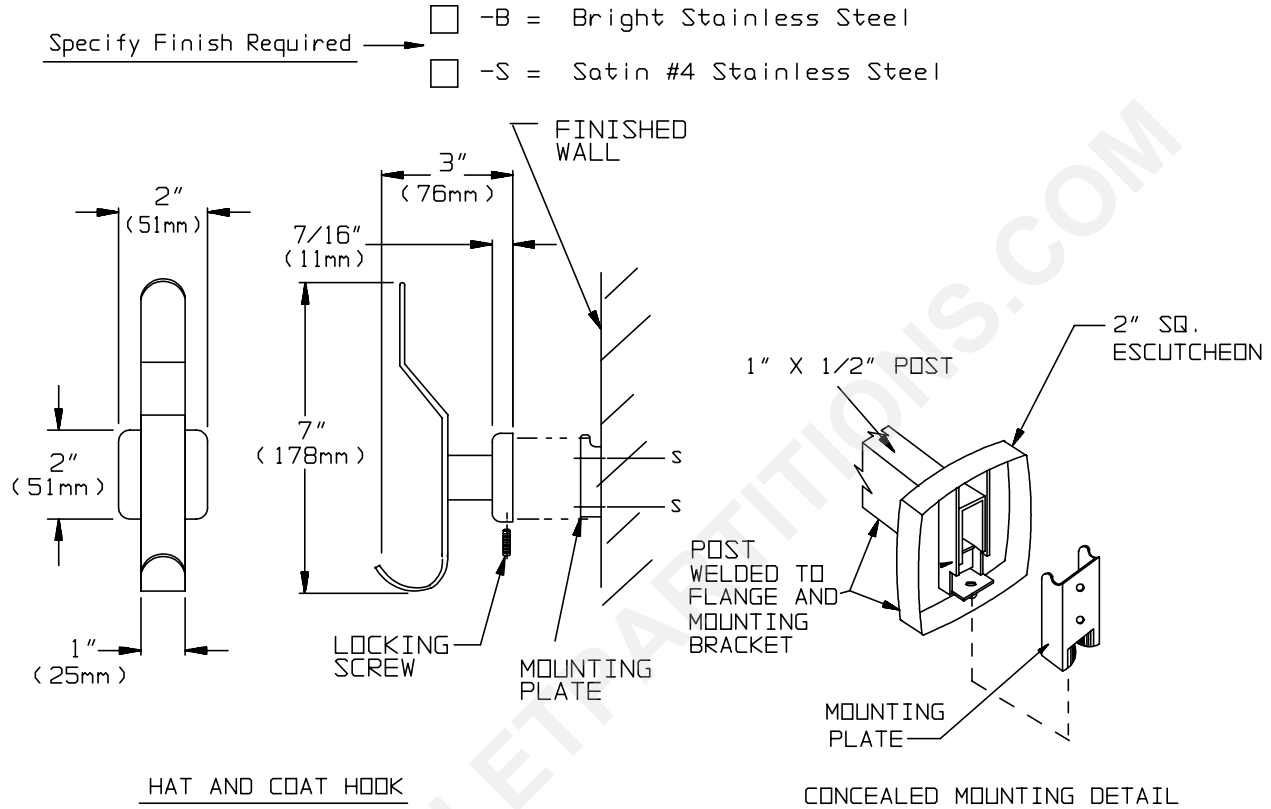
441 Saw Mill River Road, Yonkers, NY 10701 (914) 476-9000
www.americanspecialties.com

MODEL No: 7382

ISSUED: 1-87

REVISED: 1-06

HAT AND COAT HOOK



SPECIFICATION

Hat and Coat Hook shall be fabricated of stainless steel alloy 18-8, type 304. Hook post shall be 1/2" x 1" (13mm x 25mm) rectangular tubing with formed mounting flange and bracket welded on end. Hook shall be 1" x 7" (25mm x 178mm) and shall be internally welded to outer end. Mounting plate shall be included and shall be 18 gauge. A stainless steel setscrew shall be provided on bottom perimeter of flange to lock unit to mounting plate. Surface finish shall be bright or satin as chosen by option and indicated by code suffix.

Hat and Coat Hook shall be Model N° 7382-B or N° 7382-S of American Specialties, Inc., 441 Saw Mill River Road, Yonkers, New York 10701-4913

INSTALLATION

Surface mount unit on door or wall using N° 10 self tapping screws (by others) through holes provided in mounting plate into suitable prepared mountings (by others) or other suitable mounting hardware (by others) to suit door or wall conditions. Hang post and flange assembly on mounting plate and tighten setscrew to lock unit to plate. For compliance with ICC/ANSI A-117.1-2003 and ADA Accessibility Guidelines install unit with top of hook 48" (1219mm) maximum above finished floor (MAX AFF) if clear floor forward reach or if clear floor side reach access only is provided or 46" (1168mm) MAX AFF if side reach access over an obstruction (e.g. vanity) with reach depth greater than 10" (254mm) and less than 25" (635mm) is only provided or 44" (1118mm) MAX AFF if forward reach over an obstruction with reach depth greater than 20" (508mm) and less than 25" (635mm) is only provided. For general utility install hook with centerline of mounting plate between 68" and 72" (1727mm to 1829mm) AFF.

Accessory Specialties

AMERICAN DISPENSER

Desert Ray Products

WATROUS INC.