



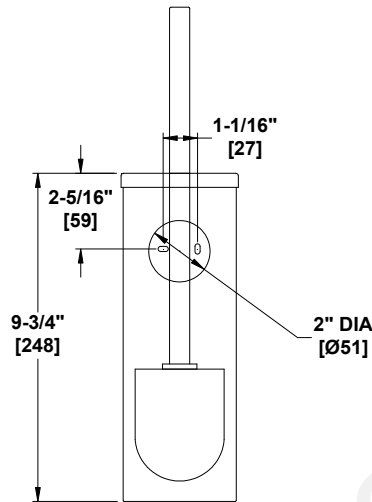
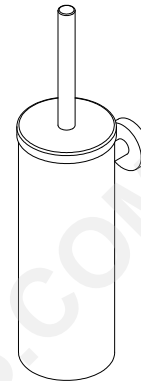
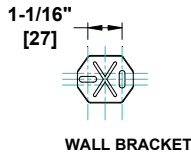
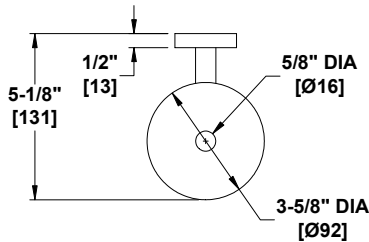
AMERICAN SPECIALTIES, INC.
 441 Saw Mill River Road, NY 10701
 (914) 476.9000 • (914) 476.0688
 www.americanspecialties.com

MODEL №: 7387

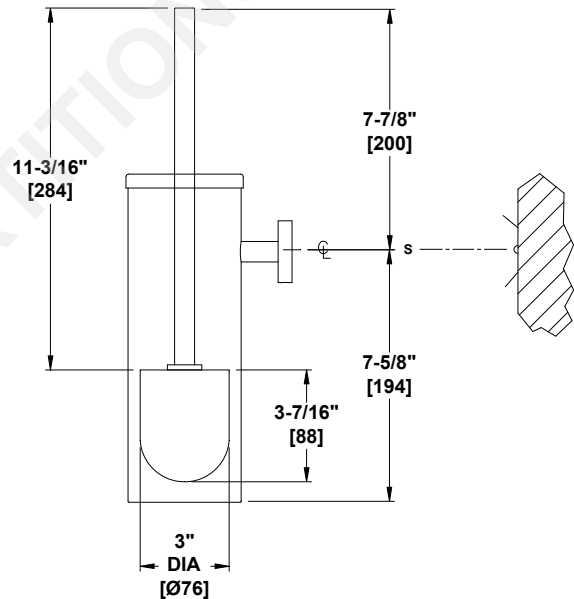
ISSUED: 05/13

REVISED: 07 Oct 2013

TOILET BRUSH AND HOLDER, WALL MOUNTED



NOTE:
 DIM'S
 INCH [MM]



SPECIFICATION

Omara Collection Wall Mounted Toilet Brush and Holder shall be 304 stainless steel alloy 18-8. Wall flange shall lock to wall bracket with concealed M5 hex socket set screw. Tubing handle, body sleeve and splash guard shall be 22 gauge. Satin finish tube handle captures round splash guard when screwed assembled to brush haft. The brush shall be PVC with a polypropylene shaft. Cylindrical storage container shall have rolled edges on top and bottom for service and user safety. A polypropylene drip cup at the bottom of the storage container is provided for easy cleaning. Flange shall be 1/16" (1.5) thick with 3/32" (2.3) thick sides and heavy reinforcement ribs. Mounting post tubing shall be bolted to flange with concealed and locked M6 (Ø1/4") screw. All exposed surfaces shall have satin finish. Wall bracket shall be 18 gauge with embossed ribs for added strength and shall have two (2) mounting slots to accommodate M4 pan head screws (provided) and allow slight installation alignment adjustment.

Toilet Brush and Holder shall be Model № 7387 of American Specialties, Inc., 441 Saw Mill River Road, Yonkers, New York 10701-4913

INSTALLATION

Install surface mounted unit in location convenient for janitorial access on finished wall with two (2) M4 x 39 (№ 6 x 1-1/2") pan head self-tapping screws (provided) into plastic wall anchors (provided) or other suitably prepared mountings (by others) or other suitable mounting hardware (by others) to suit wall conditions in mounting holes pattern shown on diagram. Unit requires 12" (305) vertical clearance above holder body for brush withdrawal and return to storage after service. For compliance with 2010 ADA Accessibility Standards install unit so that top of handle is 48" (1219) maximum above finished floor (AFF). Recommended mounting height is 32" (813) AFF. Hex L-key (M2.5) is provided to lock set screw to secure unit to wall bracket.

OPERATION

Brush is removed manually from storage cylinder and used in facilities to cleanse surface debris, rinsed and returned to storage. Periodic cleaning of internal drip cup and brush should be performed to maintain sanitary conditions on a cycle determined by maintenance needs.