



AMERICAN SPECIALTIES, INC.

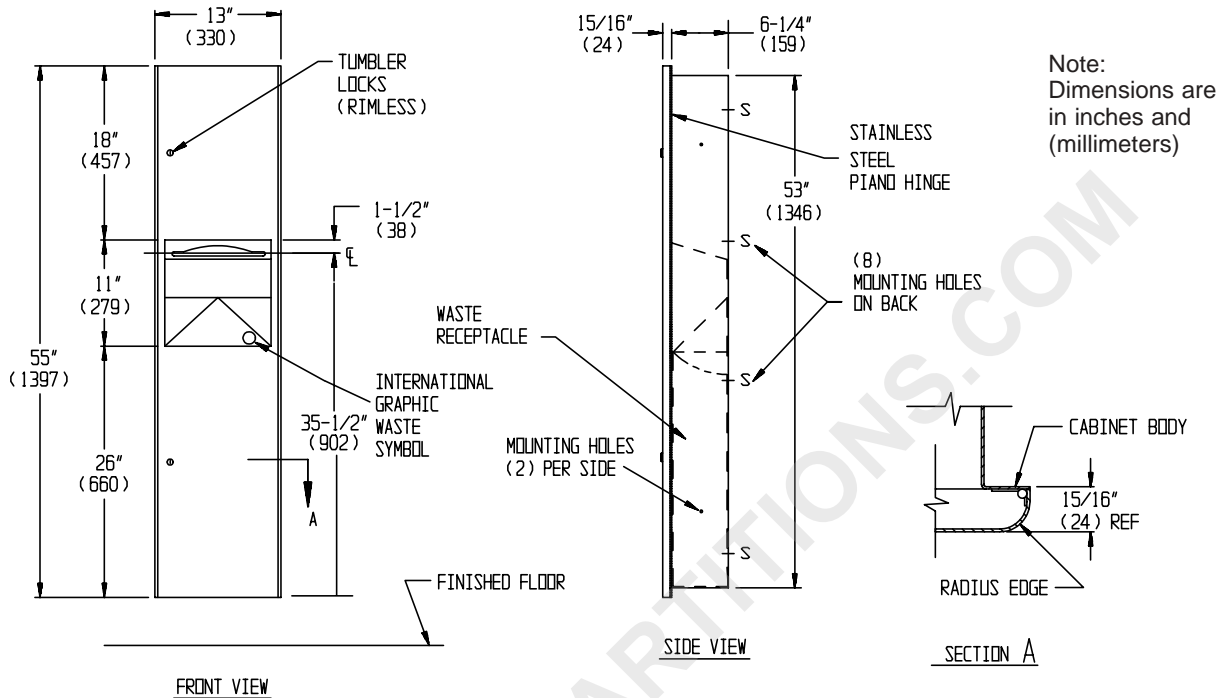
441 Saw Mill River Road, Yonkers, NY 10701 (914) 476-9000
www.americanspecialties.com

MODEL No: 94676

ISSUED: 1-87

REVISED: 5-07

PROFILE COLLECTION RECESSED MOUNTED PAPER TOWEL DISPENSER AND WASTE RECEPTACLE



SPECIFICATION

Profile Collection Recessed Paper Towel Dispenser and Waste Receptacle shall hold and dispense 800 standard multi-fold or 600 standard C-fold or 1100 standard single-fold paper towels and shall have a waste capacity of 8 gallons (30 liters). Cabinet and dispenser unit shall be fabricated of 20 gauge type 304 stainless steel alloy 18-8 with 1" (25.4) wide perimeter trim to lay flat against wall. All exposed surfaces shall have N° 4 satin finish. Full-face door shall be 16 gauge and shall be free of miters, welding or open seams with 3/4" (19) radiused vertical edges and 15/16" (24) square horizontal returns to wall. Door shall be attached to the edge of unit with a concealed full length 3/16" diameter (Ø4.8) stainless steel multi-staked piano hinge and shall be held closed with two (2) flush rimless tumbler locks keyed alike to other ASI washroom equipment. Towel dispensing slot shall have a fully hemmed-in rolled edge for snag-free dispensing and user safety. Adjustable guide shall be provided to allow dispensing of single-fold, multi-fold or C-fold paper towels. Waste receptacle push door shall be attached to cabinet with a spring-loaded stainless steel piano hinge and shall have the international waste symbol on face. Waste receptacle shall be fabricated of stainless steel with hemmed edges and shall have a welded on finger pull for ease of service removal and maintenance safety. Structural assembly of body and door components shall be of welded construction.

Profile Collection Recessed Mounted Paper Towel Dispenser and Waste Receptacle shall be Model N° 94676 as manufactured by American Specialties, Inc., 441 Saw Mill River Road, Yonkers, New York 10701-4913

INSTALLATION

Mount unit in wall recess with N° 10 self-tapping screws (by others) through concealed mounting holes provided. For compliance with ICC/ANSI A-117.1-2003 and ADA Accessibility Guidelines install unit with centerline of towel dispenser slot 48" (1219) maximum above finished floor (MAX AFF) only if clear floor forward reach or side reach access is provided. Be advised that local codes may require mounting centerline of towel dispenser slot 40" (1016) MAX AFF (e.g. California UBC/Title 24). Note that top of Rough Wall Opening (RWO) is 3/4" (19) below top of unit. For general utility install unit with centerline of towel dispenser slot between 49" and 56" (1245 to 1422) AFF.

RWO required is 11-1/2" W x 53-1/2" H x 6-1/4" D minimum (292 x 1359 x 159)

OPERATION

Paper towels are manually withdrawn through dispensing slot. A towel adapter (provided) allows alternating between single-fold, C-fold and multi-fold dispensing at time of loading for a single type per load and ensures that towels feed properly until depleted. Unit will continue to feed properly when reloaded with a partial load in place. Refill dispenser by unlocking door and replacing towels for an empty or partially empty unit. Dispenser supply is replenished and waste container is emptied manually on cycles determined by maintenance needs. Locking full-face door over compartments prevents unauthorized access or removal.

Accessory Specialties

AMERICAN DISPENSER

Desert Ray Products

WATROUS inc.