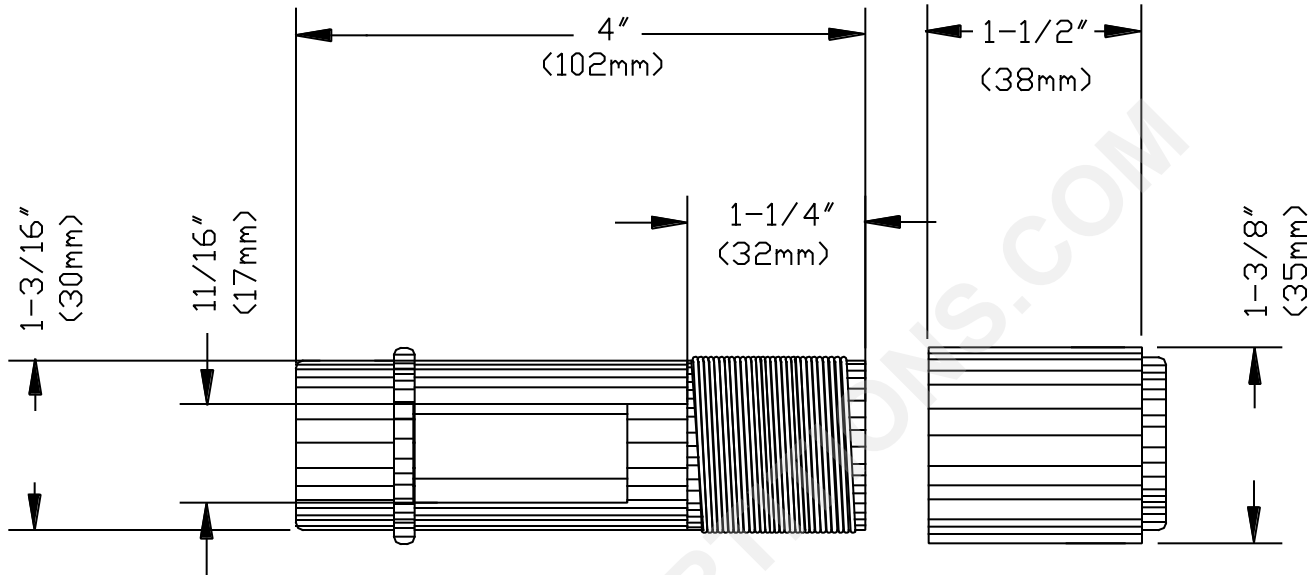




AMERICAN SPECIALTIES, INC.
441 Saw Mill River Road, Yonkers, NY 10701 (914) 476-9000

MODEL No:	R-009
ISSUED:	1-87
REVISED:	3-97

THEFT RESISTANT SPINDLE



FRONT VIEW

SPECIFICATION

Theft Resistant Spindle shall be fabricated of hi-impact resistant ABS plastic. Unit shall accommodate a standard spring-tension plastic roller (ASI Model N^o R-003, supplied separately) to provide increased vandal resistance. Unit shall fit into all standard holders that receive R-003 and shall hold standard roll tissue with 1-3/8" (35mm) ID core.

Theft Resistant Spindle shall be Model N^oR-009 as fabricated by American Specialties, Inc., 441 Saw Mill River Road, Yonkers, New York, 10701-4913

INSTALLATION

Insert smaller dia. end (inside telescope) spring loaded roller from dispenser inside screw cap. Screw cap onto threaded body to contain larger (outside telescope) dia. end until R-009 length is 1/16" (1.6mm) less than spacing between dispenser posts (supplied separately). Load R-009 with toilet paper and insert into dispenser posts.

OPERATION

Paper core must be ripped off to remove R-009 after roll is exhausted. Grasp inside roller through opposing windows and retract pivot end from holder socket.

Accessory Specialties

AMERICAN DISPENSER

Desert Ray Products

WATROUS INC.