



AMERICAN SPECIALTIES, INC.
 441 Saw Mill River Road, NY 10701
 (914) 476.9000 • (914) 476.0688
 www.americanspecialties.com

MODEL No: 0185

ISSUED: 10/05

REVISED: 01/10

SURFACE MOUNTED SENSOR HAND DRYER (PG 2/2)

RATINGS

MODEL	TYPE	TIMING	VOLTS HERTZ	AMPS	WATTS	COLOR*
0185	Hand	Automatic	115VAC-50/60Hz	17.6	2022	White
			208VAC-50/60Hz	15.9	1654	
			240VAC-50/60Hz	18.3	2200	

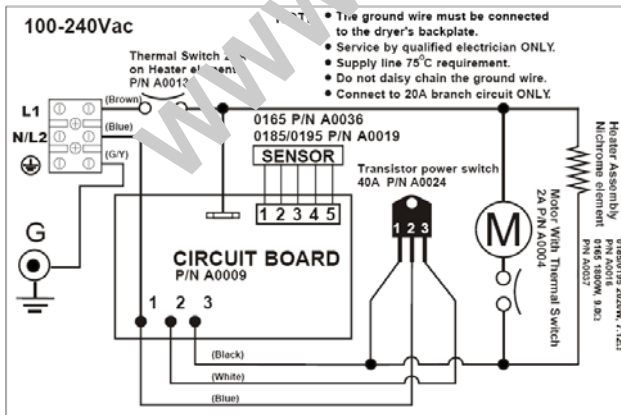
MODEL	MOTOR	H/P	RPM	FAN TYPE	AIR FLOW	HEATING ELEMENT	HEAT TEMP.
0185 115AC	Brush Type Dual Ball Bearings	1/4	7500	Single Inlet Centrifugal	186 CFM (314.5 m ³ /h)	1857 Watt Nichrome wire with auto reset circuit breaker @ 115VAC	149° F (65°) @ 77° F (25°) ambient room temperature
0185 208AC						1519 Watt Nichrome wire with auto reset circuit breaker @ 104VAC	
0185 240AC						2000 Watt Nichrome wire with auto reset circuit breaker @ 240VAC	

COLOR OPTIONS*

Unit is supplied with white finish unless color option is specified. Specify optional color or finish (from chart below) by adding appropriate code number suffix to standard model number (i.e. 0185-93) and indicate option by circle on correct code in chart. For color chips see the **OPTIONS** section.

CODE	COLOR	CODE	COLOR	CODE	COLOR	CODE	COLOR
40	DISCONTINUED as of August 2015 (-40, -41, -71 only)	71	Almond	92	Stainless Steel Bright	93	Stainless Steel Satin

Circuit Diagram



Installation Diagram

