



AMERICAN SPECIALTIES, INC.

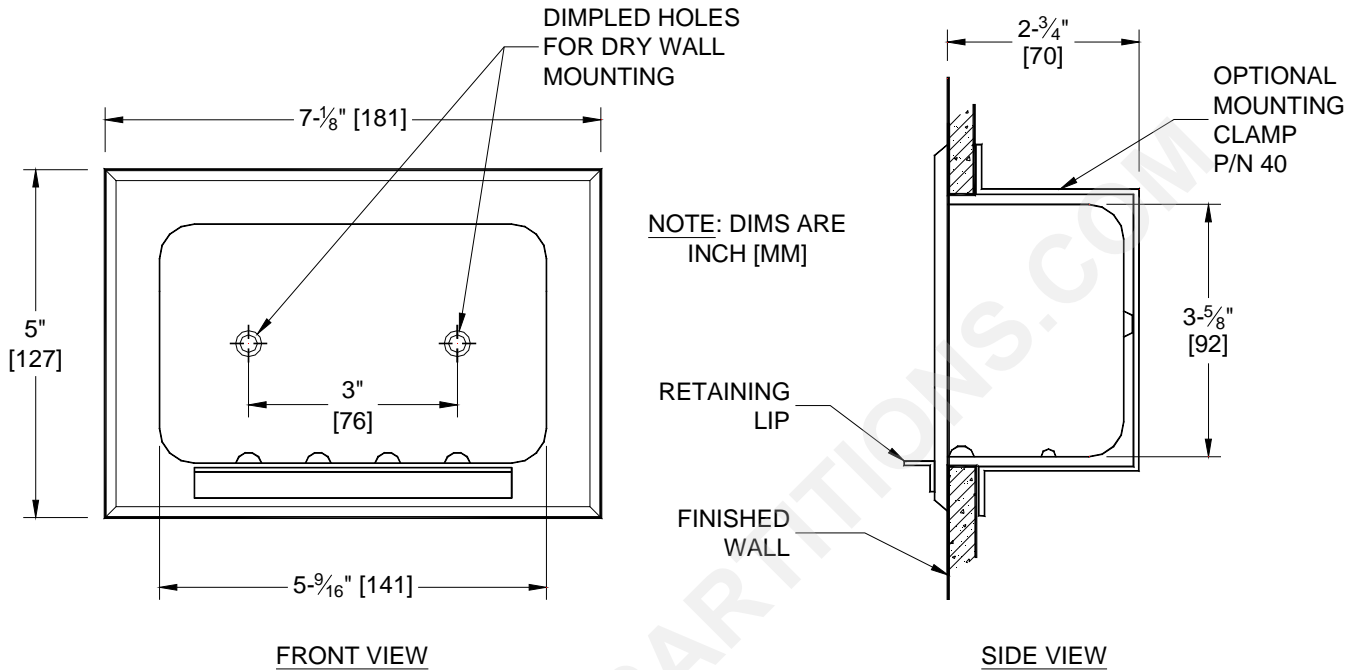
441 Saw Mill River Road, Yonkers, NY 10701 (914) 476-9000
www.americanspecialties.com

MODEL No: 0400

ISSUED: 01-87

REVISED: 12-06

HEAVY DUTY STAINLESS STEEL SOAP DISH



SPECIFICATION

Heavy Duty Stainless Steel Soap Dish for dry wall mounting shall be formed of 20 gauge alloy 18-8 seamless deep drawn stainless steel, type 304. Exterior shall have polished bright finish. Retaining lip with rounded corners shall be welded to body and shall project 5/8" (16) from bezel. Optional mounting clamp shall be fabricated of 18 gauge corrosion protected steel with mounting holes for N^o 8-32-UNC-2A machine screws (by others). Water runoff path shall be provided as pattern of raised dimples on soap shelf and shall prevent soap from slipping.

Heavy Duty Stainless Steel Soap Dish shall be Model N^o 0400 of American Specialties, Inc., 441 Saw Mill River Road, Yonkers, New York 10701-4913

INSTALLATION

For Standard Recessed Mounting

Use two (2) N^o 8 stainless steel Philips flat or oval head self tapping or wood screws (by others) of suitable length to penetrate blocking in back of RWO by approximately 1/2" (13). Apply a continuous bead of silicone sealant (by others) behind flange. Tighten screws to hold flange tight against finished wall face. Wipe off excess sealant immediately.

Optional Method for Recessed Mounting

Order separate item Model N^o 40 dry wall clamp. Loosely attach clamp to the back of the unit with two (2) stainless steel Philips flat or oval head N^o 8-32-UNC-2A machine screws (provided by others to suit wall conditions). Apply a continuous bead of silicone sealant (by others) behind flange. Insert into RWO and adjust clamp so that it grips inside wall surface through opening. Secure accessory to clamp and wall by tightening screws. Wipe off excess sealant immediately.

Rough Wall Opening (RWO) required is6-1/8" W x 4-1/8" H x 4" D (156 x 105 x 102)

OPERATION

Raised dimples on the soap shelf allow water to drain away and provide gripping surface to retain soap.