



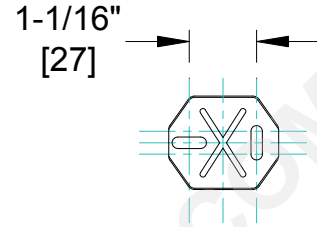
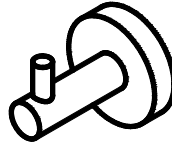
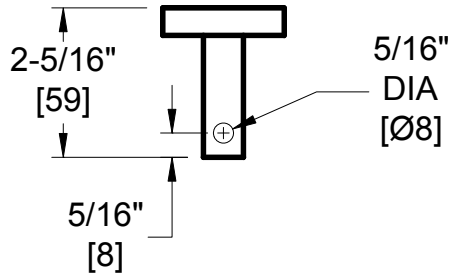
AMERICAN SPECIALTIES, INC.
 441 Saw Mill River Road, NY 10701
 (914) 476.9000 • (914) 476.0688
 www.americanspecialties.com

MODEL №: 7308

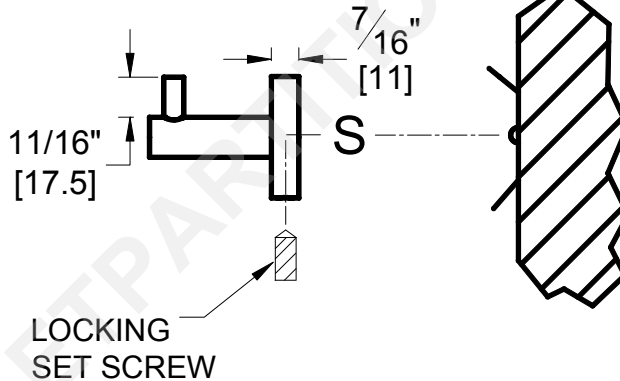
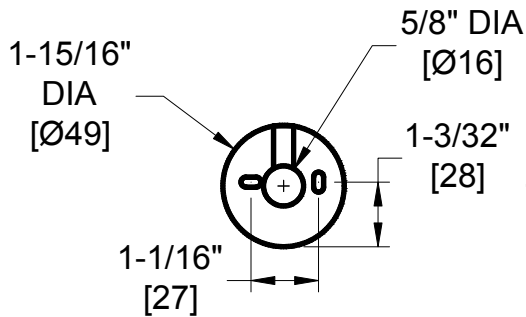
ISSUED: 05/13

REVISED: 12 Sept 2013

SINGLE ROBE HOOK



WALL BRACKET



NOTE:
 DIM'S
 INCH [MM]

SPECIFICATION

Omara Collection Single Robe Hook shall be type 304 stainless steel alloy 18-8. Wall flange shall lock to wall bracket with stainless steel M5 hex socket set screw concealed on bottom perimeter of flange. Post shall be 22 gauge tubing with formed 18 gauge threaded bracket welded inside end. Hook shall be solid pin. Flange shall be 1/16" (1.5) thick with 3/32" (2.3) thick sides and heavy reinforcement ribs. Post shall be bolted to flange with concealed and locked M6 (Ø1/4") screw. All exposed surfaces shall have satin finish. Wall bracket shall be 18 gauge with embossed ribs for added strength and shall have two (2) mounting slots to accommodate M4 pan head screws (provided) and allow slight installation alignment adjustment. Hex L-key (M2.5) is provided to lock set screw to secure unit to wall bracket.

Single Robe Hook shall be Model № 7308 of American Specialties, Inc., 441 Saw Mill River Road, Yonkers, New York 10701-4913

INSTALLATION

Surface mount unit to door back or finished wall with two (2) M4 x 39 (№ 6 x 1-1/2") pan head self-tapping screws (provided) through holes provided in wall bracket into plastic wall anchors (provided) or other suitably prepared mountings (by others) or other suitable mounting hardware (by others) to suit door or wall conditions. Clip flange onto wall bracket and tighten setscrew to lock it in place. For compliance with 2010 ADA Accessibility Standards install unit with top of hook 48" (1219) maximum above finished floor (MAX AFF) if clear floor reach is provided. For general utility install hook with centerline of mounting plate 68" (1727) AFF.

OPERATION

Hook is suitable for robes or clothing and small carry bags.