



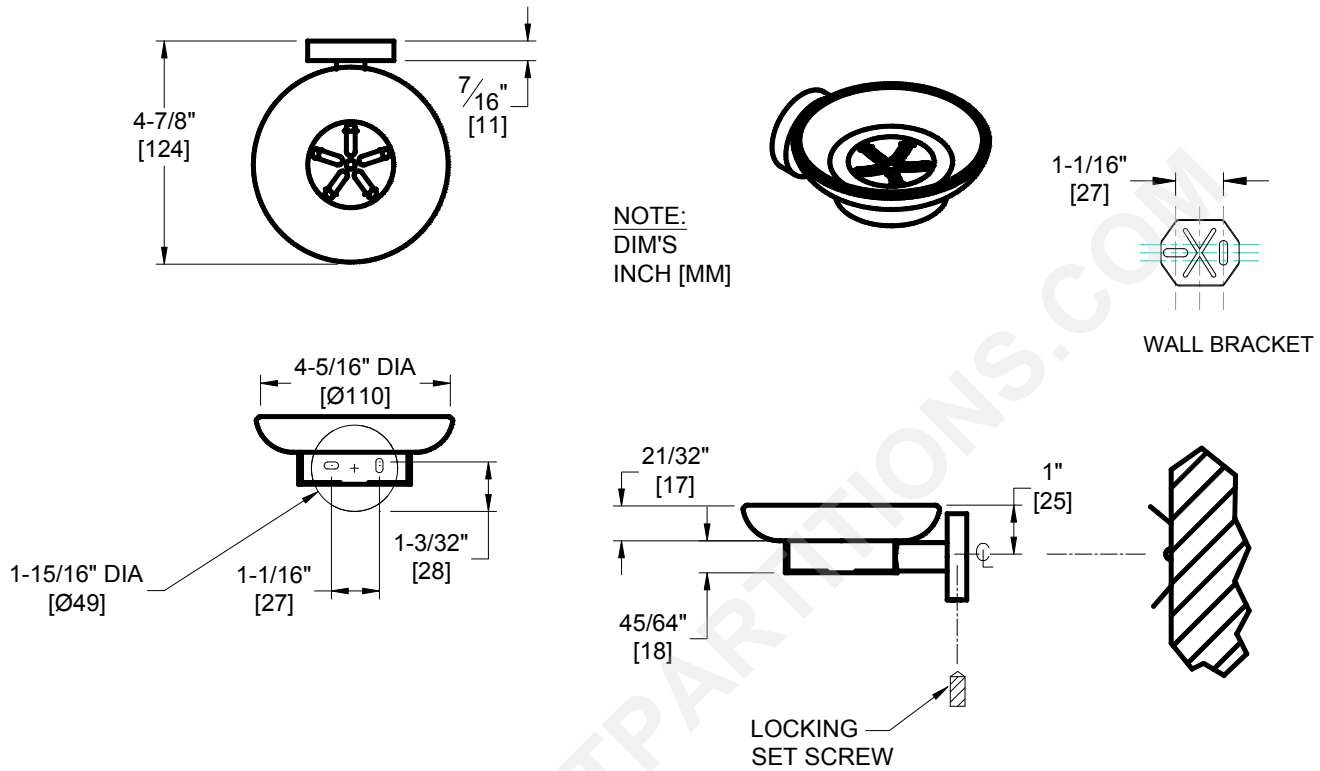
AMERICAN SPECIALTIES, INC.
 441 Saw Mill River Road, NY 10701
 (914) 476.9000 • (914) 476.0688
 www.americanspecialties.com

MODEL №: 7313

ISSUED: 05/13

REVISED: 12 Sept 2013

SOAP DISH WITH PLASTIC HOLDER



SPECIFICATION

Omara Collection Soap Dish Holder shall be type 304 stainless steel alloy 18-8. Soap dish shall be one piece molded clear glass and shall have integral ribs. Wall flange shall lock to wall bracket with stainless steel M5 hex socket set screw concealed on bottom perimeter of flange. Post shall be 22 gauge tubing with formed 18 gauge threaded bracket welded inside end. Soap dish support ring shall be formed from one piece of 16 gauge and shall be welded to post end. Flange shall be 1/16" (1.5) thick with 3/32" (2.3) thick sides and heavy reinforcement ribs. Post shall be bolted to flange with concealed and locked M6 (Ø1/4") screw. All exposed surfaces shall have satin finish. Wall bracket shall be 18 gauge with embossed ribs for added strength and shall have two (2) mounting slots to accommodate M4 pan head screws (provided) and allow slight installation alignment adjustment. Hex L-key (M2.5) is provided to lock set screw to secure unit to wall bracket.

Soap Dish shall be Model № 7313 of American Specialties, Inc., 441 Saw Mill River Road, Yonkers, New York 10701-4913

INSTALLATION

Surface mount unit to finished wall with two (2) M4 x 39 (№ 6 x 1-1/2") pan head self-tapping screws (provided) through holes provided in wall bracket into plastic wall anchors (provided) or other suitably prepared mountings (by others) or other suitable mounting hardware (by others) to suit wall conditions. Clip flange onto wall bracket and tighten setscrew to lock it in place. For compliance with 2010 ADA Accessibility Standards install unit with top of soap dish 48" (1219) maximum above finished floor (MAX AFF) if clear floor reach access is provided or 46" (1168) MAX AFF if side reach access over an obstruction (e.g. vanity) with reach depth greater than 10" (254) and less than 25" (635) is only provided or 44" (1118) MAX AFF if forward reach over an obstruction with reach depth greater than 20" (508) and less than 25" (635) is only provided. For general utility mount unit with top of soap dish 8" to 12" (203 to 305) above vanity basin.

OPERATION

Soap dish has raised ribs to elevate soap slightly above dish surface to promote drying. Dish may be removed to allow cleaning between soap changes.