



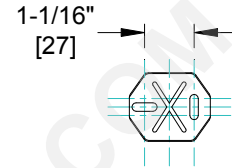
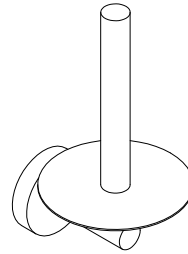
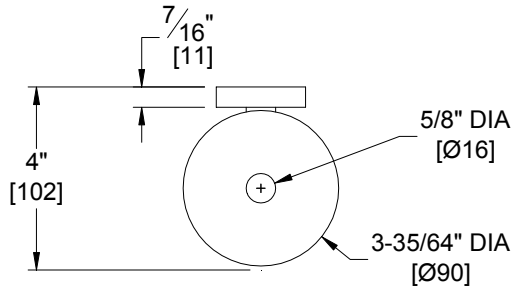
AMERICAN SPECIALTIES, INC.
 441 Saw Mill River Road, NY 10701
 (914) 476.9000 • (914) 476.0688
 www.americanspecialties.com

MODEL №: 7316

ISSUED: 05/13

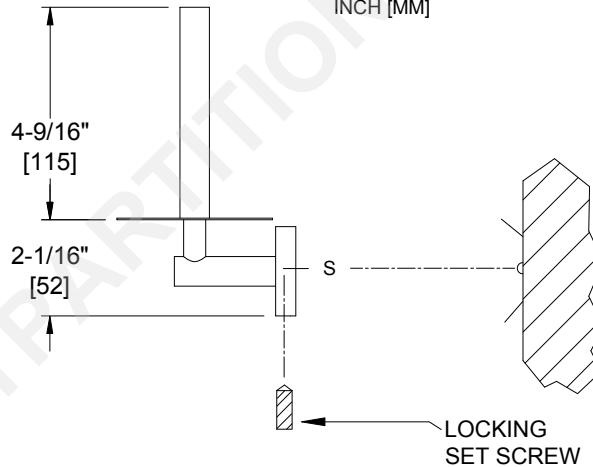
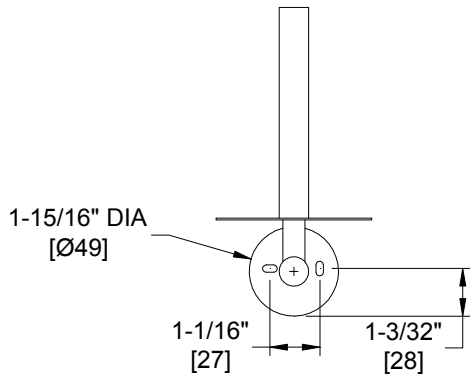
REVISED: 17 Sept 2013

SPARE TOILET PAPER ROLL HOLDER



WALL BRACKET

NOTE:
 DIM'S
 INCH [MM]



LOCKING
 SET SCREW

SPECIFICATION

Omara Collection Spare Toilet Paper Roll Holder shall be type 304 stainless steel alloy 18-8. Wall flange shall lock to wall bracket with concealed M5 hex socket set screw. Tubing shall be 22 gauge and roll support plate shall be 20 gauge with radiused edges. Roll support plate shall be captured between top and bottom post tubes and shall not rotate. Flange shall be 1/16" (1.5) thick with 3/32" (2.3) thick sides and heavy reinforcement ribs. Tubing shall be bolted to flange with concealed and locked M6 (Ø1/4") screw. All exposed surfaces shall have satin finish. Wall bracket shall be 18 gauge with embossed ribs for added strength and shall have two (2) mounting slots to accommodate M4 pan head screws (provided) and allow slight installation alignment adjustment.

Spare Toilet Paper Roll Holder shall be Model № 7316 of American Specialties Inc., 441 Saw Mill River Road, Yonkers, New York 10701-4913

INSTALLATION

For compliance with 2010 ADA Accessibility Standards, install unit so that top of paper holder is between 19" (483) minimum above finished floor (AFF) to 48" (1219) maximum AFF and centerline of post is between 7" (178) and 9" (229) from front of commode. Recommended mounting height is 32" (813) AFF. Surface mount unit to finished wall with two (2) M44 x 39 (№ 6 x 1-1/2") pan head self-tapping screws (provided) into plastic wall anchors (provided) or other suitably prepared mountings (by others) or other suitable mounting hardware (by others) to suit wall conditions. Hex L-key (M2.5) is provided to lock set screw to secure unit to wall bracket.

OPERATION

One roll of toilet paper is placed over the post type holder for ready availability when dispenser roll is finished. Toilet paper is replenished on a cycle determined by maintenance needs.