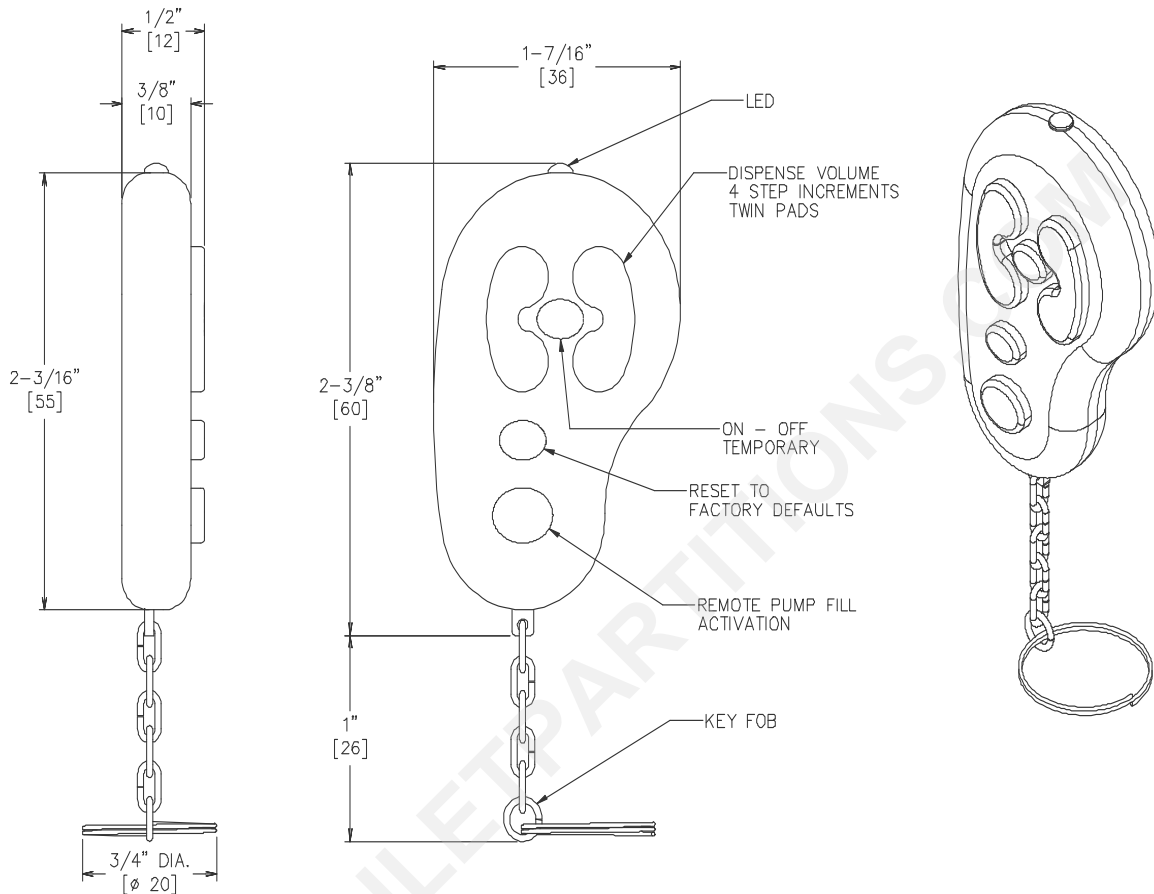




AMERICAN SPECIALTIES, INC.
 441 Saw Mill River Road, Yonkers, NY 10701
 (914) 476.9000 • (914) 476.0688
 www.americanspecialties.com

MODEL №:	0390-R
ISSUED:	12/13
REVISED:	14 JUN 2014

EZFill™ MULTI-FEED SOAP DISPENSING SYSTEM REMOTE CONTROL



SPECIFICATION

EZFill™ Deck Mounted Automatic Soap Dispensing System Remote Control shall allow programming of all individual dispenser units. Hand held device housing shall be seamless molded plastic case halves closed with concealed snap latches and keypad buttons shall be soft-touch TPR. Four (4) buttons shall allow selection of dispense volume ranges from 0.007 oz (0.2 ml) to 0.08 oz (2.3 ml). One button allows reset to factory settings. One button will temporarily disable the sensor to allow service in front of the unit without activation of a soap dispensing cycle, e.g. during cleaning. One button will activate the pump in continuous mode to prime the soap tube after refill of the soap supply. Each command button press will be acknowledged by the dispenser unit with an indication by LED flashes in unique sequences. Owner's Manual shall be provided with unit in carton.

EZFill™ Automatic Soap Dispensing System Remote Control shall be Model № 0390-R of American Specialties, Inc., 441 Saw Mill River Road, Yonkers, NY 10701-4913

INSTALLATION

Unit is supplied with batteries and requires no service maintenance. Keep in dry location. Key fob hole allows unit to be hung on hook or key-ring.

OPERATION

Remote is compatible with all EZFill™ Soap Dispenser units to adjust programmed dispense amount. Two (2) sector buttons with dual functions allow selection of dispense volume ranges, identified as "1", "2", "3", "4" with droplet icon. Separate button, marked "ADJ", resets unit to factory default condition. An additional feature is EZFill™ assist pump priming after soap refill by button press "FILL". Continuous run mode (1 minute time-out unless "FILL" pressed again to terminate cycle) facilitates delivery of fresh soap to dispenser. Button press "ON-OFF" suspends operation for 1 minute or until button repressed to restore operation. Hold remote directly in front of sensor to avoid possible interference with adjacent dispenser units, at a distance of 5" ± 1" (127 ± 25) to button-press initiate any of the commands. Each successful command implementation will be confirmed by LED flashes. Refer to Owner's Manual (supplied with unit) for complete description of LED flash codes and features.