



- Model 315-35 — Recessed
- Model 315-1035 — Semi-Recessed (recesses 3½", projects 4")
- Model 315-1135 — Surface-Mounted (projects 7½")
- Standard Series — Satin Finish
- 9.2-Gallon Capacity

Product Materials

FLANGE: 22 gauge stainless steel with exposed surfaces in architectural satin finish. One-piece seamless construction, 1" wide with ¼" return.

CABINET: 22 gauge stainless steel with exposed surfaces in architectural satin finish. Welded construction with seamless corners and burr-free edges.

DOOR: 18 gauge stainless steel. Warp resistant, with full-length piano hinge and tumbler lock keyed like other Bradley units.

WASTE RECEPTACLE INSERT: leakproof molded plastic.

PUSH FLAP DOOR: 22 gauge stainless steel with exposed surfaces in architectural satin finish. Heavy-duty stainless steel piano hinge.

Capacity

9.2 gal. (1.24 cu. ft.)

Operation

Waste receptacle insert removable by unlocking cabinet door.

Installation

Verify all rough-in dimensions prior to installation. Recessed unit requires rough wall opening 12½"W x 47½"H x 7½"D. Secure to framing with mounting screws (included) at holes provided. Shim at screw points as required.

Guide Specification

Recessed waste receptacle shall be fabricated of heavy gauge stainless steel with seamless exposed surfaces in satin finish. Cabinet door of warp-free construction with piano hinge and tumbler lock. Removable 9.2-gal. leakproof molded plastic insert for waste receptacle.

Overall dimensions: 14"W x 49"H x 7½"D.

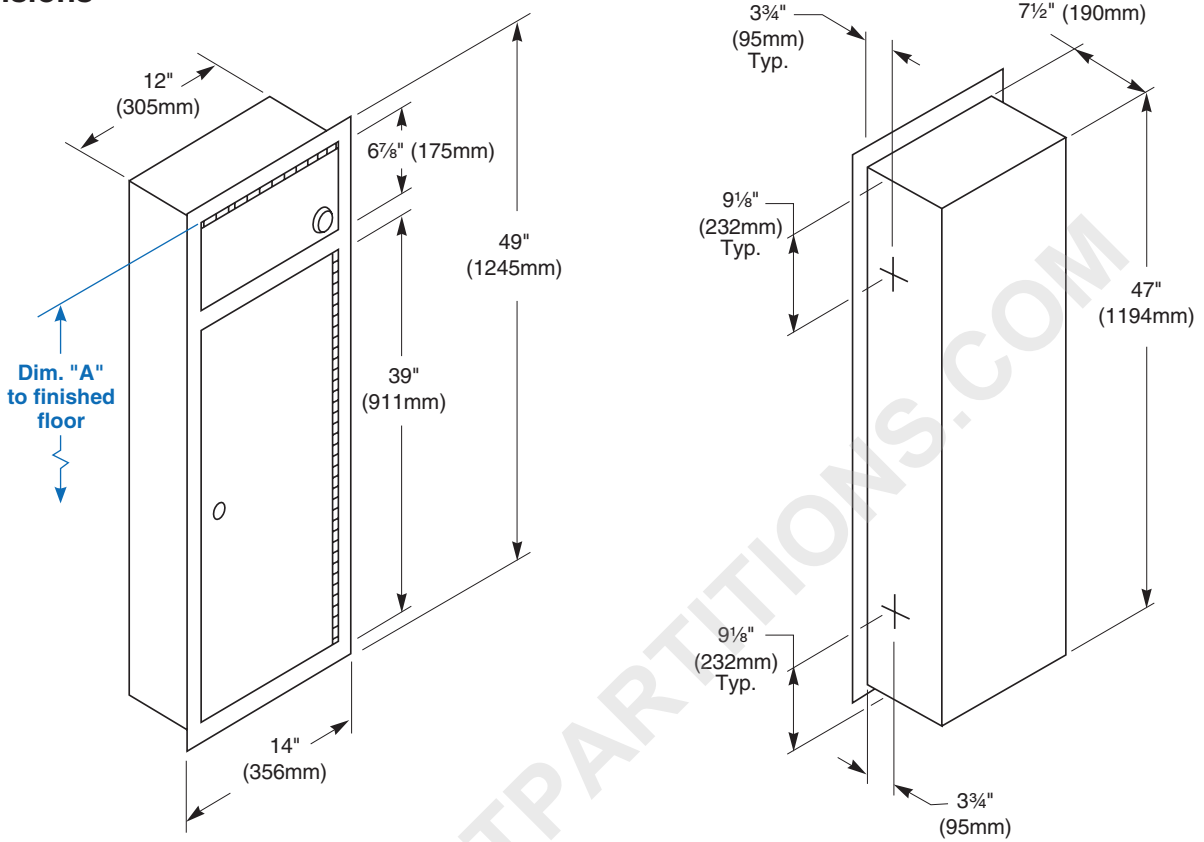


ADA Compliant

- Consult local and national accessibility codes for proper installation guidelines.
- Conformity and compliance to local and national codes is the responsibility of the installer.



Dimensions



Dim. "A" Key Surface:	For Dim. "A"	Top of Rough Wall Opening	Bottom of Rough Wall Opening
Top of door (6 7/8" door opening) to finished floor	50" (1270mm)	50 1/4" (1276mm)	2 3/4" (70mm)
	48" (1219mm)	48 1/4" (1226mm)	3/4" (19mm)
Rough wall opening:			
Surface Mount:	No rough opening, see overall dimensions		
Recessed:	12 1/2" (318mm) Wide x 47 1/2" (1207mm) High x 7 1/2" (191mm) Deep		
Semi-Recessed:	12 1/2" (318mm) Wide x 47 1/2" (1207mm) High x 3 1/2" (89mm) Deep		