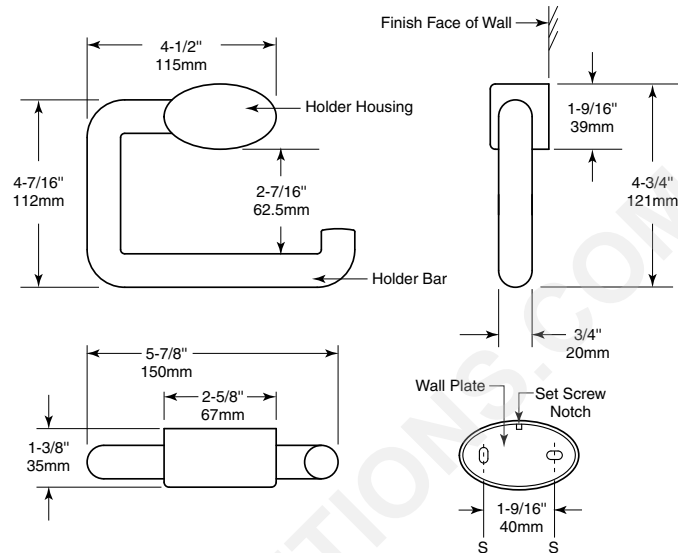


**BOBRICK****Technical Data****NYLON  
TOILET PAPER HOLDER****B-2716****MATERIAL:**

**Concealed Wall Plate** — Polyamide 6 -fiberglass reinforced nylon with glossy finish. Two mounting screw holes for attachment to wall.

**Holder Housing** — Polyamide 6 with glossy finish. Snaps over wall plate to conceal mounting screws. Secured to Concealed Wall Plate with set screw.

**Holder Bar** — Polyamide 6, 20mm (3/4") diameter, rod with glossy finish. Secured to Holder Housing by firmly pushing split, flanged end of Holder Bar into the wall assembly, allowing for right or left-handed assembly.

**INSTALLATION:**

Remove Concealed Wall Plate from back of Toilet Paper Holder Housing with a flat-blade screwdriver. Wall Plate may be used as a template to mark locations of mounting screws on finished wall. Mount Concealed Wall Plate with oval shape in a horizontal orientation with set screw on top.

Mount Wall Plate on finished wall; secure with two sheet-metal screws, furnished by manufacturer, at points indicated by an S. Snap Toilet Paper Holder Housing onto Wall Bracket, covering the Wall Plate completely, with rear of Holder Housing up against the wall. Orientation of Holder Housing may be selected to have the Toilet Paper Holder Bar engage the wall assembly at either the left or right side.

Assemble the Toilet Paper Holder Bar into wall assembly by firmly pushing split, flanged end of bar into the wall assembly at the hole location side until it snaps into place, completely engaged.

For partitions with particle-board or other solid core, secure with sheet-metal screws furnished, or provide through-bolts, nuts and washers.

For hollow-core metal partitions, provide solid backing into which the furnished sheet-metal screws can be secured.

For plaster or drywall construction, provide concealed backing to comply with local building codes, then secure unit with sheet-metal screws furnished.

For other wall surfaces, provide fiber plugs or use expansion shields (furnished) for use with sheet-metal screws furnished by manufacturer, or provide 1/8" (3mm) toggle bolts or expansion bolts.

**CLEANING AND MAINTENANCE:**

DO NOT USE abrasive liquid detergents. Chlorine bleach does not improve the aseptic aspect of the equipment and could lead to opacity and deterioration of the material.

**SPECIFICATION:**

Toilet Paper Holder shall be polyamide 6 with glossy finish. Concealed Wall Plate shall be equipped with two mounting screw holes for attachment to the wall. Toilet Paper Holder shall have Holder Housing to snap over Wall Plate to conceal mounting screws. Toilet Paper Holder Bar shall be 3/4" (20mm) diameter, polyamide 6 -fiberglass reinforced nylon rod, secured to housing by firmly pushing split, flanged end of bar into the wall assembly, allowing for right- or left-handed assembly.

**Nylon Toilet Paper Holder shall be Model B-2716 of Bobrick Washroom Equipment, Inc., Clifton Park, New York; Jackson, Tennessee; Los Angeles, California; Bobrick Washroom Equipment Company, Scarborough, Ontario; Bobrick Washroom Equipment Pty. Ltd., Australia; and Bobrick Washroom Equipment Limited, United Kingdom.**