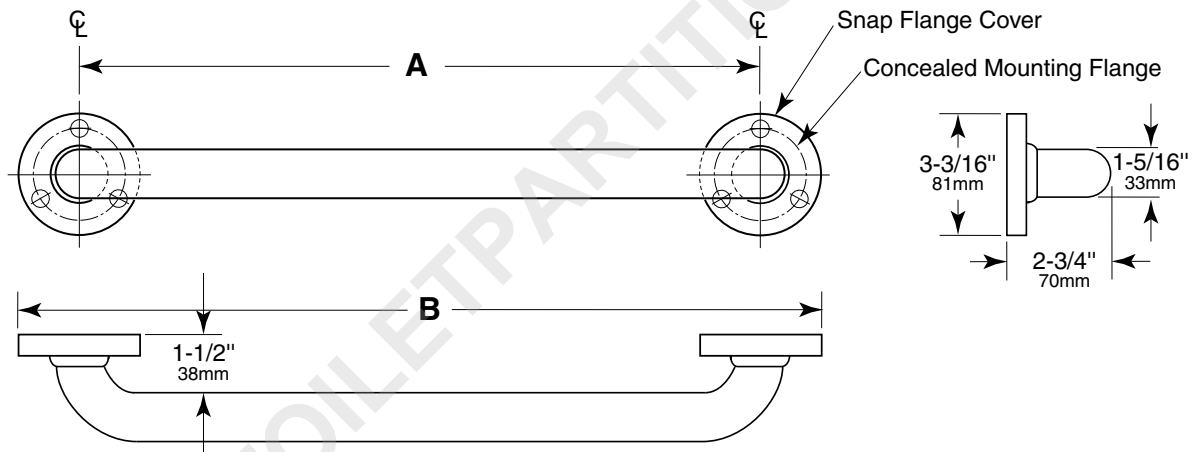
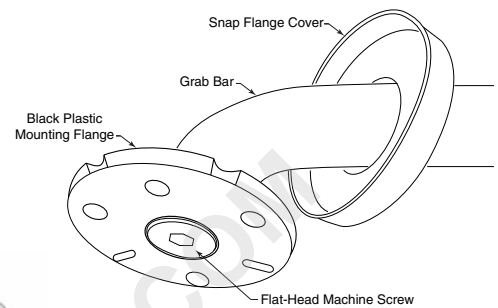


**BOBRICK****Technical Data****1-1/4" (32mm) DIAMETER  
VINYL-COATED GRAB BARS  
WITH SNAP FLANGE****B-580616  
SERIES****STANDARD STOCK SIZES**

Model No.	Length A	Length B
B-580616 x 18	18" 457mm	21-3/16" 538mm
B-580616 x 24	24" 510mm	27-3/16" 690mm
B-580616 x 36	36" 914mm	39-3/16" 995mm
B-580616 x 42	42" 1057mm	45-3/16" 1148mm

**MATERIALS:**

**Grab Bar** — Zinc-plated 1" (25mm) diameter steel tube with 1/8" (3mm) thick W1 white vinyl antibacterial, biocompatible, and warm-to-the-touch coating with glossy finish. 1-1/4" (32mm) outside diameter. Clearance between the Grab Bar and wall is 1-1/2" (38mm).

**Concealed Mounting Flange** — Polyamide 6-fiberglass reinforced nylon with glossy finish; 3/16" (4mm) thick end Flange with four holes for attachment to wall. Stainless steel flat-head machine screw will seat in conical recess of the Flange.

**Snap Flange Covers** — Polyamide 6-fiberglass reinforced nylon with glossy finish, 1/8" (3mm) thickness and 3-1/4" (83mm) diameter.

**STRENGTH:**

Bobrick grab bars that provide 1-1/2" (38mm) clearance from wall B-580616 x 18, B-580616 x 24, B-580616 x 36, B-580616 x 42 can withstand loads of 450 pounds (204 kg) if properly installed. B-580616 x 42 can withstand loads of 330 pounds (150 kg) when properly installed, complying with accessible design (including ADAAG in the U.S.A.) for structural strength.

**Safety Warning:** Grab bars are no stronger than the anchors and walls to which they are attached and, therefore, must be firmly secured in order to support the loads for which they are intended. To avoid potential injury, the building owner or maintenance personnel should remove the grab bar from service if the grab bar is not adequately secured to wall or if there is any observed damage to the grab bar.

continued ...

**INSTALLATION:**

Assemble Concealed Mounting Flanges and Snap Flange Covers at both ends of Grab Bar. Slide Snap Flange Cover onto ends of bar, in the appropriate orientation for final assembly, then fasten black plastic Concealed Mounting Flange to end of Grab Bar with heavy, flat-head machine screw furnished by manufacturer. Flat head of screw will completely seat in conical recess of flange. Secure tightly in place to end of bar. Repeat at other end.

Provide concealed anchor device or backing as specified or required in accordance with local building codes before wall is finished. Once desired mounting location is determined, Mounting Flanges may be used as templates to mark locations of mounting screws on finished wall, as necessary.

Securely fasten Concealed Mounting Flanges to anchor device or backing with three screws furnished by manufacturer in each Flange. Do not use more than three Mounting Screws per Flange. Snap Flange covers over each Mounting Flange to conceal Mounting Screws. Concealed anchor devices are not included with Bobrick Grab Bars.

Optional anchor devices and/or fasteners (not provided) may be used, subject to type of wall on which the grab bar will be mounted, but would also be subject to local building codes for safe grab bar mounting.

**CLEANING AND MAINTENANCE:**

DO NOT USE abrasive liquid detergents. Chlorine bleach does not improve the aseptic aspect of the equipment and could lead to opacity and deterioration of the material.

DO NOT USE hot air with a temperature over 80°C (175°F) for drying the device.

**SPECIFICATION:**

Vinyl-Coated Grab Bar shall be corrosion resistant, zinc coated steel pipe with vinyl antibacterial, biocompatible, and warm-to-the-touch coating. Grab Bar shall have 1/8" (3mm) wall thickness, 1/8" (3mm) extruded plastic finish coating thickness, and 1-1/4" (32mm) outside diameter. Clearance between the grab bar and wall shall be 1-1/2" (38mm). Concealed Mounting Flanges shall be fiberglass reinforced nylon plate and equipped with four screw holes for attachment to wall. Flange covers shall be fiberglass reinforced nylon with glossy finish, 3-1/4" (83mm) diameter, and shall snap over Mounting Flanges to conceal mounting screws. Ends of grab bar shall pass through Concealed Mounting Flanges. Grab Bar shall comply with accessible design (including ADAAG in the U.S.A.) for structural strength.

**Vinyl-Coated Grab Bar with Snap Flange shall be Model \_\_\_\_\_ (insert model number) of Bobrick Washroom Equipment, Inc., Clifton Park, New York; Jackson, Tennessee; and Los Angeles, California; Bobrick Washroom Equipment Company, Scarborough, Ontario; Bobrick Washroom Equipment Pty. Ltd., Australia; and Bobrick Washroom Equipment Limited, United Kingdom.**