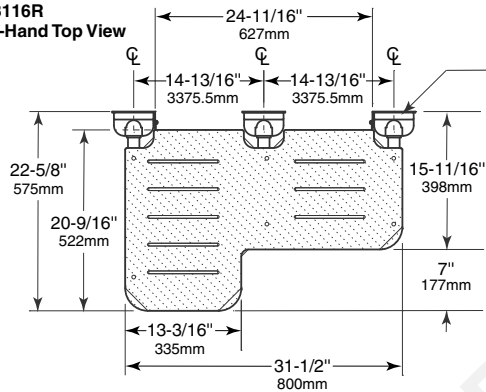
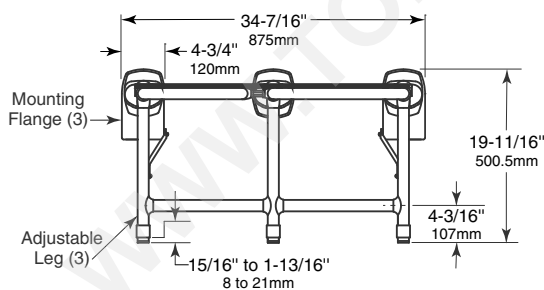
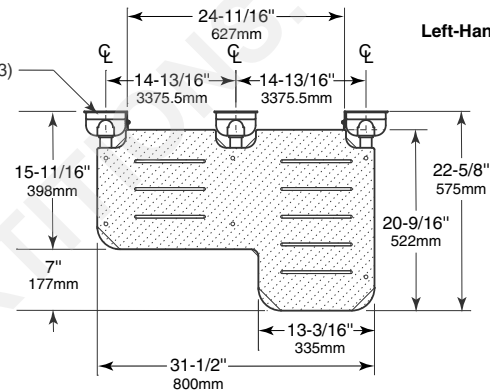



BOBRICK**Technical Data****BARIATRIC FOLDING
SHOWER SEAT WITH LEGS****B-918116
SERIES**

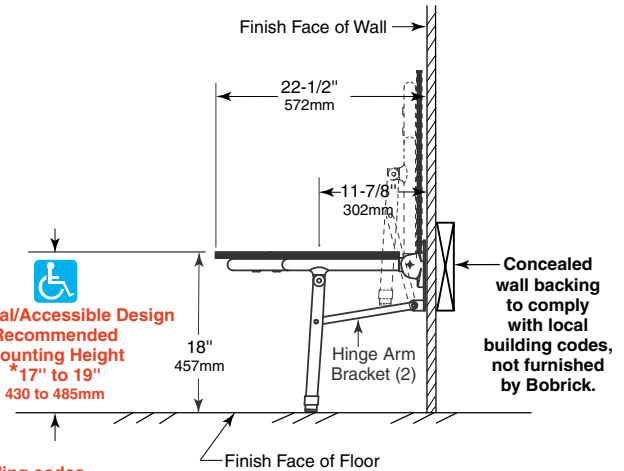
Right-Hand Seat Shown

**B-918116R
Right-Hand Top View**

Flange Cover (3)

**B-918116L
Left-Hand Top View**

 **Universal/Accessible Design
Recommended
Mounting Height
* 17" to 19"
430 to 485mm**

***Consult local building codes****MATERIALS:**

Seat — One-piece, 3/8" (10mm) thick, high pressure laminate with matte-finish, white-colored surfaces and black phenolic-resin core — cannot delaminate. Integral slots for water drainage.

Frame — Zinc-plated 3/4" steel pipe 1/10" (2.5mm) wall thickness, 1/8" (2.7mm) white vinyl antibacterial, biocompatible, and warm-to-the-touch coating thickness, 1-5/16" (33mm) outside diameter.

Mounting Flanges (2) — Stainless steel Inox AISI 304 1/8" (3mm) thick wall plates. Flange cover polyamide 6.

Swing-Down Leg — Zinc-plated 3/4" steel pipe 1/10" (2.5mm) wall thickness, 1/8" (2.7mm) white vinyl antibacterial, biocompatible, and warm-to-the-touch coating thickness, 1-5/16" (33mm) outside diameter.

Hinge Bracket — Inox AISI 304, 11-gauge (3 mm) stainless steel with satin finish.

continued . . .

OPERATION:

Bariatric Shower Seat can be folded up against the wall when not in use. The baseplate locks Seat into upright position until released by pulling the top of Seat away from wall. The Seat should move up and down with a small amount of user effort, and should not move independently. When the Seat is lowered to a horizontal sitting position, the Seat should automatically level with the help of the stainless steel hinge bracket, which aligns the swing-down legs. Nonporous high-pressure laminate Seat has slots to permit water to drain, does not splinter or require oiling, and will not support growth of bacteria. Bobrick Sariatric Shower Seats, when properly installed, have sufficient strength to support 1102 lbs., (500 kg) complying with accessible design guidelines (including ADAAG in the U.S.A.).

INSTALLATION:

Unfasten Hinge Arm Brackets from Shower Seat Legs, if they are not already loose. Release white plastic Flange Covers from all three Mounting Flange Assemblies with a flat-blade screwdriver and pull them back to expose Flanges. Remove large Pivot Bolt and Nut from all three Flange assemblies to remove them from the Shower Seat Pivot Assemblies.

Provide concealed anchor device(s) or backing as specified or required in accordance with local building codes before wall is finished. Once desired mounting location and height is determined, position temporary mounting template against the wall, with template arrow facing forward and pointing up, and mark a level line on the wall. Remove adhesive strip covers (3) from rear of mounting template. Secure temporary template to wall with the adhesive strips, in its original orientation, using the level line as a guide to align it. Drill a small pilot hole at all twelve mounting bolt locations. Remove template from wall. Four mounting bolt locations, per Mounting Flange, to be drilled to accept twelve 3" (75mm) long 5/16" hex-head lag bolts (furnished).

Securely mount all three Mounting Flange Assemblies to wall and concealed anchor device or backing (not furnished) with hex-head lag bolts. Left Flange Assy. to be oriented with Hinge Arm Bracket at lower right position. Right Flange Assembly to be oriented with Hinge Arm Bracket at lower left position.

With white plastic Flange Covers pulled back, position Shower Seat with Pivot Assemblies near Mounting Flanges. Align the Pivot Assemblies with the lateral pivot holes of the Flange Assemblies. Thread the Pivot Bolts back through the Flanges and Pivot Assemblies in their original orientation. Secure the assemblies together threading the Nuts onto the Pivot Bolts. Tighten the Pivot Bolts and Nuts to 5.6/6.7 Pounds (25/30N) of force. The Shower Seat should move up and down with a small amount of user effort, but should not move independently.

Refasten Hinge Arm Bracket ends to vertical Shower Seat Legs. Snap white plastic Flange Covers into place over Mounting Flanges. Adjust feet of vertical Shower Seat Legs by rotating the feet clockwise or counter-clockwise until all three feet contact the floor securely.

Optional anchor devices and/or fasteners (not provided) may be used, subject to type of wall on which the Shower Seat will be mounted, but would also be subject to local building codes for safe Shower Seat mounting.

CLEANING AND MAINTENANCE:

DO NOT USE abrasive liquid detergents. Chlorine bleach does not improve the aseptic aspect of the equipment and could lead to opacity and deterioration of the material.

DO NOT USE hot air with a temperature over 80°C (175°F) for drying the device.

SAFETY WARNING: Shower seats are no stronger than the anchors and walls to which they are attached and must be firmly secured in order to support the loads for which they are intended. Consult and comply with local building codes. To avoid potential injury, the building owner or maintenance personnel should remove the shower seat from service if the shower seat is not adequately secured to the wall. Unit shall support static loads of up to 1102 lbs (500 kg) when properly installed and used. To avoid potential seat malfunction, DO NOT use seat if weight exceeds 1102 lbs (500 kg).

SPECIFICATION:

Bariatric Folding Shower Seat shall have a frame and three front swing-down legs constructed of zinc-plated 3/4" steel pipe 1/10" (2.5mm) wall thickness, 1/8" (2.7mm) white vinyl antibacterial, biocompatible, coating thickness, 1-5/16" (33mm) outside diameter. Seat shall be one-piece, 3/8" (10mm) thick, high-pressure laminate with matte-finish, white-colored surfaces and black phenolic-resin core — cannot delaminate. Shower Seat shall be equipped with three Mounting Flanges constructed of stainless steel Inox AISI 304 1/8" (3mm) thick wall plates with polyamide 6 flange cover. Stainless steel Inox AISI 304, 11-gauge (3 mm) hinge brackets align between seat and legs. Shower Seat shall comply with accessible design guidelines (including ADAAG in the U.S.A.).

Bariatric Folding Shower Seat with Legs shall be Model B-918116 (Left or Right) of Bobrick Washroom Equipment, Inc., Clifton Park, New York; Jackson, Tennessee; Los Angeles, California; Bobrick Washroom Equipment Company, Scarborough, Ontario; Bobrick Washroom Equipment Pty. Ltd., Australia; and Bobrick Washroom Equipment Limited, United Kingdom.