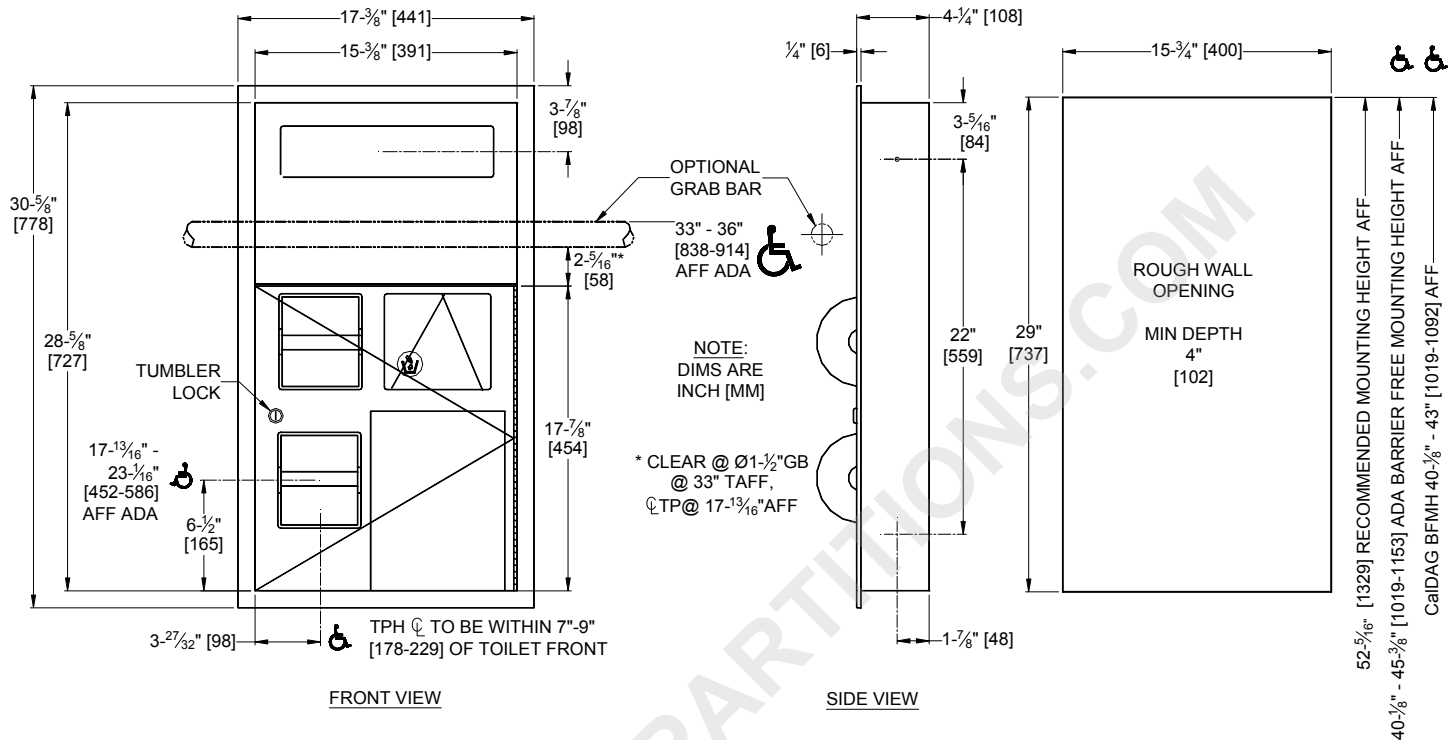




**AMERICAN SPECIALTIES, INC.**  
 441 Saw Mill River Road, NY 10701  
 (914) 476.9000 • (914) 476.0688  
 www.americanspecialties.com

<b>MODEL №:</b>	<b>0482-R</b>
ISSUED:	09/11
REVISED:	21 Sept 2012

**RECESSED SEAT COVER AND TOILET PAPER DISPENSER WITH SANITARY DISPOSAL**



**SPECIFICATION**

Recessed Seat Cover and Toilet Paper Dispenser with Sanitary Napkin Disposal shall hold and dispense 1000 paper seat covers and two rolls standard or 1800 sheet 4-1/2" x 5-1/4" diameter (114 x Ø133) toilet paper. Removable waste container shall have a capacity of 1.3 gal (4.9 liters) or 300 in<sup>3</sup> (.005 m<sup>3</sup>). Seat cover dispenser panel and toilet paper dispenser door shall be 18 gauge type 304 stainless steel alloy 18-8. Face frame and cabinet shall be 22 gauge. All exposed surfaces shall have satin finish and be protected by PVC film easily removed after installation. Seat cover cutout shall have a fully deburred edge for snag-free dispensing and user safety. Disposal door shall be hung on spring-tensioned hinges and shall have international graphic waste disposal symbol. Service door shall be attached to cabinet at side with a full-length 3/16" diameter (Ø5) stainless steel multi-staked piano hinge and shall be held closed with a tumbler lock keyed alike to other ASI washroom equipment. Face trim shall be 1" (25) wide formed from one piece with no mitres, welding or open seams and have 1/4" (6) square return to face of wall. Structural assembly of all components shall be of welded construction. Cabinet shall include theft and vandal resistant rollers that shall be of molded high-impact resistant plastic with integral molded-in stainless steel endpins and two (2) rollers [p/n R-004] shall be supplied.

Recessed Seat Cover and Toilet Paper Dispenser with Sanitary Napkin Disposal shall be Model № 0482-R as manufactured by American Specialties, Inc., 441 Saw Mill River Road, Yonkers, New York 10701-4913

**INSTALLATION**

Mount unit in wall recess using four (4) № 10 self-tapping screws (by others) through concealed mounting holes provided. Note that top of RWO (rough wall opening) is 13/16" (21) below top of unit. For 2010 ADA Accessibility Standards compliance the centerline of the TP Dispenser should be located within 7" to 9" (178-229) of the front of the toilet and the TP Dispenser opening bottom should be above 15" (381) minimum AFF while the Seat Cover Dispenser opening centerline should be no higher than 48" (1219) maximum AFF. An optional GB (not provided) at 33"-36" (838-914) AFF to the top of the bar should allow the service door top to clear the bottom of the bar when opening the door.

**RWO required is 15-3/4" W x 29" H x 4" D minimum (400 x 737 x 102)**

**OPERATION**

Push self-closing disposal door to deposit waste material. Seat covers are self-feeding until supply is depleted. Toilet paper rolls feed freely until depleted and level of supply is constantly visible for low-level warning. Waste receptacle is emptied manually on cycle determined by maintenance needs. Toilet paper rolls, paper seat covers and waste receptacle are serviced by unlocking and opening door. Locked door prevents inadvertent dumping and unauthorized removal. Waste container safety-edged finger hole provides convenient grip for service. Toilet paper spindles are carried in vandal resistant sub-frame accessible when door is opened.