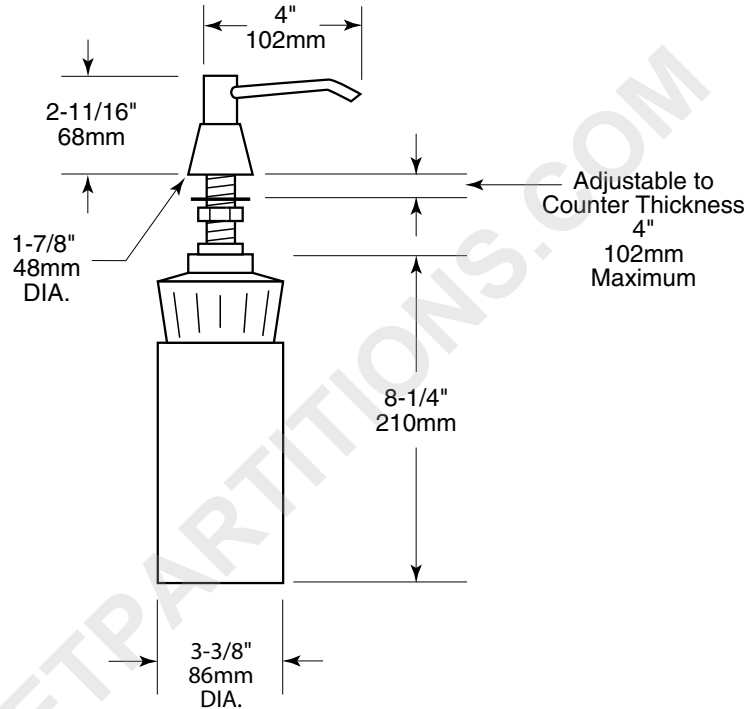


**BASIN-MOUNTED  
BRASS SOAP  
DISPENSER  
WITH ALL-PURPOSE VALVE**

**G-64LB-US-3**

Date:

Project Name:



**STANDARD MATERIAL:**

Basin-mounted soap dispenser has polyethylene globe. Units are designed to be filled from the top for easy maintenance. 4" (102mm) long spout directs soap flow over sink. Exposed portions are bright polished brass to match the existing faucets.

**SPECIAL MATERIAL: US-3**

Exposed and visible surfaces will be constructed with requested special material and brass pop rivets. US-3 finish will be supplied with a brass tumbler lock. All locks are keyed like other Gamco units.

**CAPACITY:**

8-1/4" (210mm) globe - 32-fl oz. (0.9-L)

**OVERALL DIMENSIONS:**

Unit requires 1" (25mm) hole in the vanity or basin.

**MOUNTING:**

Mounting location for push button dispensers are 44" (1118mm) maximum above the finish floor.

**ADA GUIDE:**

Push buttons and pistons should be operable with one hand and without tight grasping, pinching, or twisting of the wrist. Activation of soap valves should not require more than 5 pounds of force when unit is completely filled. Spout shall rotate 360° without damage to valve mechanism.

**NOTE:**

Soap dispenser shall dispense liquid, lotion soaps, and synthetic detergents.

**Basin-Mounted Brass Soap Dispenser with All-Purpose Valve shall be Model G-64LB-US-3 of Gamco Commercial Restroom Accessories, One Gamco Place, Durant, OK, 74701-1910**