


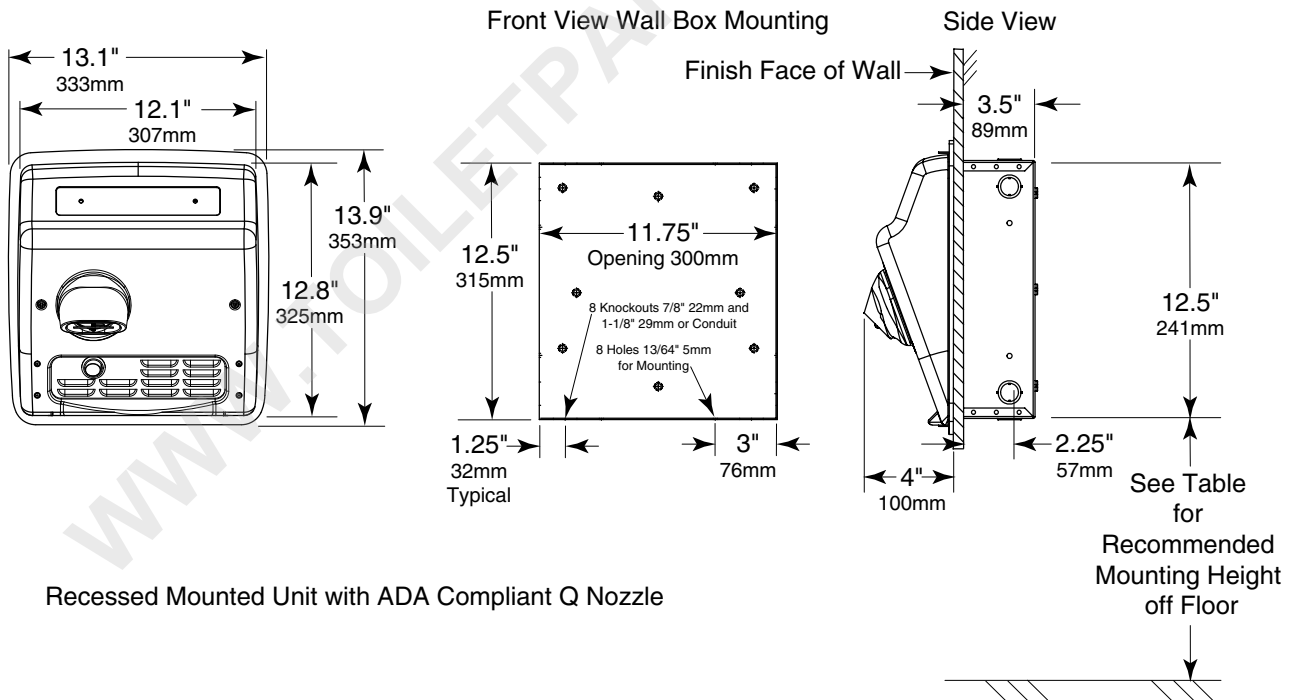
**Electrical Specifications:** 115 AC, 9.6 Amp, 60 Hz, 2300 Watts, cULus Listed.



**\*RECOMMENDED MOUNTING HEIGHTS**

|  |              |
|--|--------------|
| Children's Washrooms, ages 3-4   | 36" (915mm)  |
| Children's Washrooms, ages 5-8   | 40" (1015mm) |
| Children's Washrooms, ages 9-12  | 44" (1120mm) |
|  Universal Design | 48" (1219mm) |

\*Bottom screw hole of mounting base to finish face of floor



**MATERIALS:**

**Cover** — 1/4" thick cast iron with porcelain enamel finish. Air-inlet opening is equipped with vandal-resistant grille. Cover is secured to mounting base with two tamper resistant screws.

**Mounting Base** — Equipped with eight mounting holes and eight electrical entry holes suitable for between-wall wiring. Equipped with 4 mounting bolts to the wall.

continued . . .

**Motor/Fan** — Thermally-protected, Universal, 1/10 hp, 7500 rpm motor construction. Dryer shall deliver 200 cubic feet per minute of air volume (7300 lfm).

**Heating Element** — 2100 watt Nichrome wire heating element protected by an automatic-resetting, thermal cutoff. Provides 68° F temperature rise.

**Electronic Control** — Infrared sensor automatically turns dryer on when hands are held under air-outlet opening and across path of sensor. Remove hands from path of sensor and dryer stops. Electronic sensor has automatic shutoff. Turns off if an inanimate object is placed across air-outlet opening. After inanimate object is removed, electronic sensor automatically resets itself and dryer operates normally.

**OPERATION:**

**No-Touch Operation:** Electronic sensor automatically turns dryer on when hands are held under air-outlet opening and across path of sensor. Remove hands from path of sensor and dryer stops. Dryer will not stop by itself before user is satisfied hands are dry. Dryer operates only when actually drying hands, which saves energy and operating costs. Electronic sensor will automatically shut dryer off if an inanimate object, such as tape or chewing gum, is placed across air-outlet opening. After inanimate object is removed, electronic sensor automatically resets itself and dryer operates normally.

**10 Year Limited Warranty** — Gamco extends a limited 10 year warranty from the date of purchase for DR-5750 hand dryer on all parts, except motor brushes, to the original owner of the installed unit against defects in factory workmanship or material under normal use and service. Sensor is warranted for 5 years from date of purchase. This warranty is limited to the repair or exchange of defective parts at the option of Gamco.

**SPECIFICATION:**

Recessed, ADA compliant warm air hand dryer, powered by a 1/10 hp at 7500 rpm motor, delivering 2300 Watts of drying power. This hand dryer runs on 115 Volts AC electrical supply. Recessed hand dryer shall have a 1/4 " thick cast iron with porcelain enamel finish cover. Dryers shall deliver 200 cubic feet per minute of air volume (7300 lfm). Dryer controller shall automatically energize the dryer when hands are detected in the infrared sensing zone. The dryer will turn off immediately after hands are removed. The controller will automatically reset after any obstructions are removed. The unit shall be cULus listed. Unit shall comply with EU Directive "Restriction of Hazardous Substances" (RoHS) requirements for non-use of certain hazardous substances in the production of electronic products. Unit shall be protected by a limited 10 year warranty on all parts except motor brushes and sensors.

**Recessed Hand Dryer shall be Model DR-5750 of Gamco Commercial Restroom Accessories, Durant, OK, 74701-1910**