



Model 5A40-11 — Surface-Mounted **Bradex**[®]

- Diplomat Series
- 250 Capacity

Product Materials

UNIT: 0.036-inch/20ga.-(0.92 mm) stainless steel with exposed surfaces in architectural satin finish. Welded construction with seamless corners and burr-free edges.

Capacity

250 standard single-fold or half-fold toilet seat covers.

Operation

Cabinet bottom hinged for easy filling. Tumbler lock keyed like other Bradley units. Unit has spring clip dispensing mechanism.

Installation

Secure unit to wall or toilet partition with mounting screws (not included) at holes provided.

Guide Specification

Surface-mounted seat cover dispenser, with face formed with contemporary contours, radii, and finish matching related accessories in manufacturer's designer series. Capacity 250 standard single-fold or half-fold toilet seat covers. Equipped with spring clip dispensing mechanism and bottom-hinged service door with keyed tumbler lock. Universal keying. Formed from stainless steel sheet with satin finish on exposed surfaces, fully welded, with seamless corners and burr-free edges: cabinet and door 0.036-inch / 20-ga. thick.

Overall dimensions: 17⁵/₈"W x 12¹/₁₆"H x 1³/₄"D.

MasterFormat Title: Commercial Toilet Accessories

MasterFormat Number: 10 28 13.13

OmniClass Title: Toilet and Bath Specialties

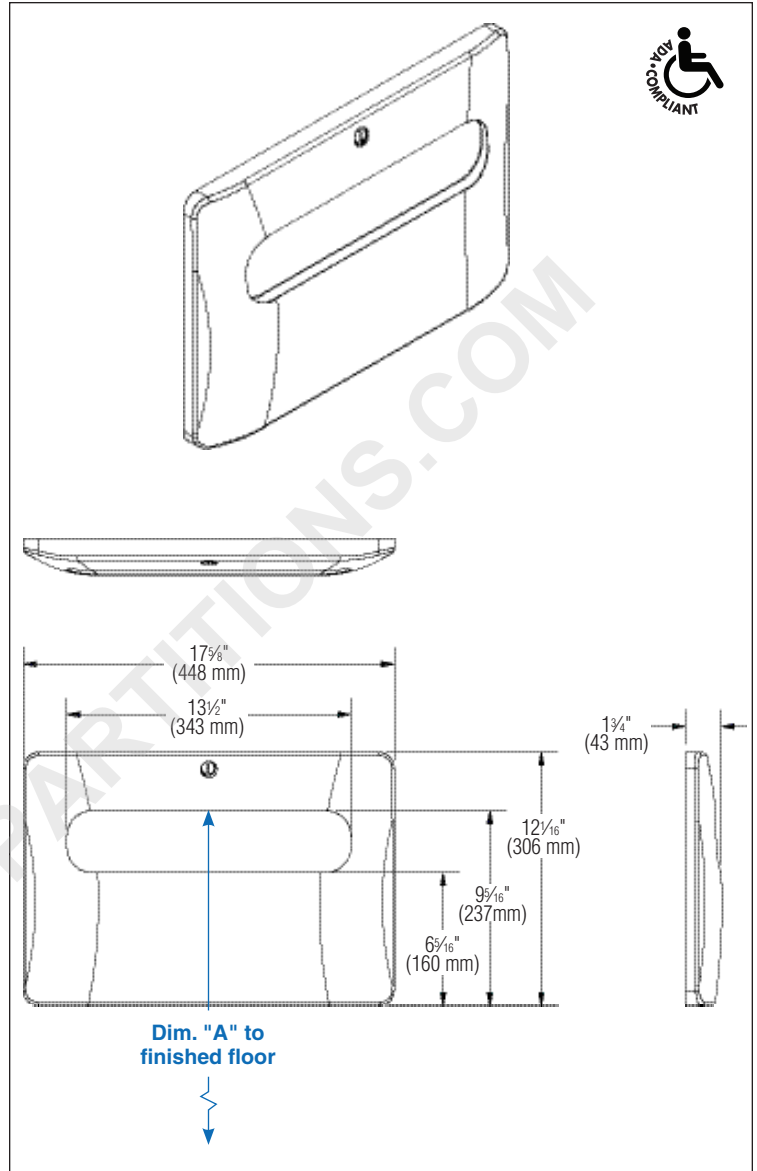
OmniClass Code: 23.31.25.00

ADA Compliant

- Consult local and national accessibility codes for proper installation guidelines.
- Conformity and compliance to local and national codes is the responsibility of the installer.

For information on Warranties, Maintenance and BAA/ARRA Compliance, visit our web site at:
bradleycorp.com/products/accessories/.

Orders composed of products indicated as **Bradex**[®] will be available to ship in three days after receipt of order at the factory. There is no pricing penalty for this service from Bradley.



Dim. "A" Key Surface:	For Dim. "A"	Top of Rough Wall Opening	Bottom of Rough Wall Opening
Top of seat cover opening to finished floor	48" (1219mm)	50 ³ / ₄ " (1289mm)	38 ¹ / ₁₆ " (983mm)
	45" (1143mm)	47 ³ / ₄ " (1213mm)	35 ¹ / ₁₆ " (906mm)
	42" (1067mm)	44 ³ / ₄ " (1137mm)	32 ¹ / ₁₆ " (830mm)
	40" (1016mm)	42 ³ / ₄ " (1086mm)	30 ¹ / ₁₆ " (779mm)