



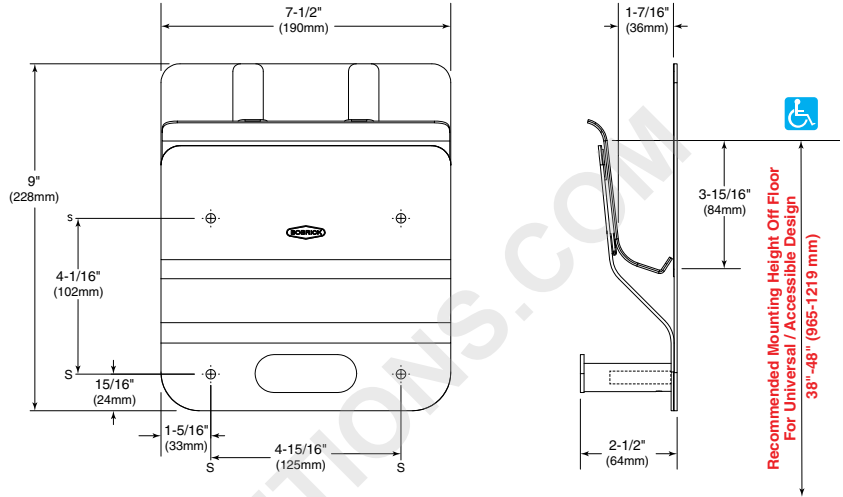
Technical Data

# KLUTCH MOBILE DEVICE HOLDER

# B-635



Patented, Patent Pending



### MATERIALS:

**Back Plate** — Type 304, 14 gauge (2.0 mm) stainless steel with satin finish, equipped with two stainless steel 1/4", threaded studs and two glued rubber bands

**Formed Plate** — Type 304, 14 gauge (2.0 mm) stainless steel with satin finish

**Cradle** — Type 304, 16 gauge (1.2 mm) stainless steel with satin finish, two glued rubber bands on the inside and two glued rubber dots on the outside

**Hook** — Type 304, 16 gauge (1.2 mm) sheet metal flange, stainless steel satin finish with stainless steel set screws, Front Plate, 11 gauge (3.0mm) stainless steel satin finish

**Torsion Springs** — Type 302, .024 wire diameter (0.6mm) stainless steel passivated

**Tubes** — 1/2" aluminum threaded rod

### INSTALLATION:

Secure back plate to wall with sheet metal screws at points indicated by an S. For plaster or dry wall construction, provide concealed backing to comply with local building codes, then secure with sheet metal screws. For other wall surfaces, provide fiber plugs or expansion shields for use with sheet metal screws provided. For partitions with particle boards or other solid core provide through-bolts, nuts and washers. If two units are installed back-to-back, provide threaded sleeves and machine screws for the full thickness of partition.

### SPECIFICATION:

Wall mounted mobile device holder dimensions: 7-1/2" (190mm) W x 9" (229mm) H x 2-3/8" (60mm) D.

Wall mounted mobile device holder shall have a type 304 stainless steel front with satin finish. Back plate shall be type 304 stainless steel. Inside holder and hook shall be 304 stainless steel. Back plate shall mount onto wall with stainless steel, sheet metal screws. Front plate including cradle shall be mounted onto back plate and secured in place with threaded tubes. Front hook shall be installed onto threaded tubes and secured with set screws for theft resistance. Glued rubber bands at back plate and cradle prevent the laptop or other devices against unintended slide out of the article.

**Mobile Device Holder shall be Model B-635 of Bobrick Washroom Equipment, Inc., Clifton Park, New York; Jackson, Tennessee; Los Angeles, California; Bobrick Washroom Equipment Company, Scarborough, Ontario; Bobrick Washroom Equipment Pty. Ltd., Australia; and Bobrick Washroom Equipment Limited, United Kingdom.**