

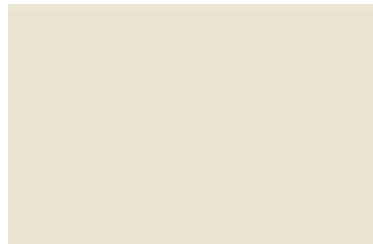


SOLID PLASTIC COLOR CARD

*Delivered in 6-9 Business Days



213 BONE



223 LINEN



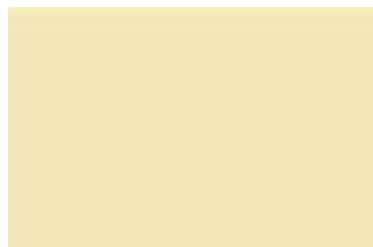
239 GRAY



215 BURGUNDY



218 FOSSIL



238 ALMOND



231 SLATE



212 BLUEBERRY



222 HUNTER



225 MOCHA



211 BLACK



227 PAISLEY



217 CANYON GRANITE



219 FROST GRANITE

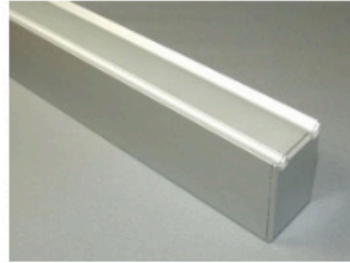
Backed with an industry leading 25 year warranty the solid plastic material is one of the longest lasting most durable materials on the market. Also known as HDPE or polymer this solid surface structure with its homogenous (same color throughout the material) color make this a top choice for restrooms that experience high volumes of traffic. You have likely ran across this material in schools, stadiums airports and other facilities that that need material that can stand the test of time.

The standard series includes one inch thick solid plastic material with aluminum hardware and stainless steel shoes. Rust and corrosion WILL NOT build up on this material and if damaged by customers you can make minor repairs to the material. Installation is no more difficult than any other material however it is much heavier and much harder to move around. Below you will find additional information digging into more of the details and specifics of this product.

- **Built to Last**
- **Certified Class B Rating**
- **Solid Core (No air pockets)**
- **Easy to Maintain**
- **Graffiti Resistant**
- **25 Year Warranty**
- **30% Recycled Content**
- **Aluminum Hardware**



Solid Plastic Material with NO air pockets. No foam, no air, no problem! Solid Core material throughout...unlike our competitors. Our material is an actual "High Density" product.



Aluminum extruded head-rail ensure a stable rigid installation of your restroom compartments. Features a double ridge top to detour vandalism and un wanted activity.



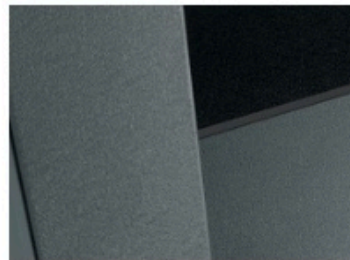
Heavy duty 6" tall aluminum slide latch with 6" door keeper.



Heavy duty 8" aluminum wrap around hinges with round barrel.



4" tall stainless steel shoe with #4 satin finish. This will trim out the bottom of your pilasters.



Solid Plastic material manufactured to 1" thick for all doors, panels and pilasters.



**Headrail Braced
STANDARD
Solid Plastic Toilet Partitions**

Material Specification

1 . 0 1 Construction

Doors, panels and pilasters shall be certified CLASS B polyethylene solid plastic. The material shall contain no foaming agents, which can cause the formation of air pockets. The self-lubricating surface is resistant to marking and can be maintained effectively with ordinary household cleaners. Material is ideal for toilet partition installations, especially in high abuse and high moisture environments.

1 . 0 2 Doors

Shall be (25mm) 1" thick by (1397mm) 55" high straight cut with fine radius edges.

1 . 0 3 Panels

Shall be (25mm) 1" thick by (1397mm) 55" high straight cut with fine radius edges.

1 . 0 4 Pilasters

Shall be (25mm) 1" thick by (2083mm) 82" high straight cut with fine radius edges.

1 . 0 5 Headrail

Shall be 32mm (1.25") by 44mm (1.75") extruded anodized aluminum with anti-grip design. Wall thickness to be 1.5mm (0.060") and shall be securely attached to wall and pilasters with manufacturer's fittings in such a way as to make a rigid installation. All joints in headrails shall be made at a pilaster.

1 . 0 6 Pilaster Fastening Method

Pilasters shall be securely and rigidly fastened to the floor with 3" (76mm) high stainless steel anchor shoes. Plastic anchor shoes are also available in colors to complement the partitions. Three heavy-duty aluminum brackets shall be used at the pilaster to wall connection.

1 . 0 7 Hardware & Fittings

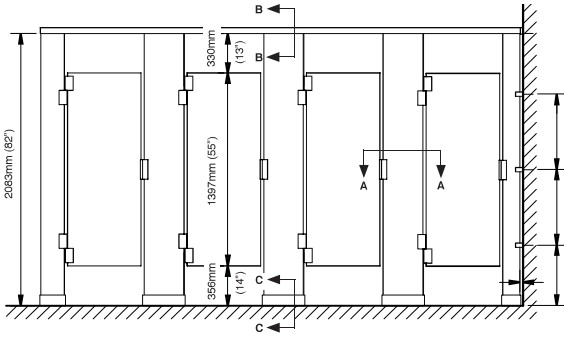
Doors are installed with 1/8" thick heavy extruded clear anodized aluminum hinges, which wrap around both the door and pilaster. Hinges are fastened to door and pilaster with tamper-proof 6-lobe security head stainless steel thru-bolts and fastened to the edge of the door and pilaster with a #10 x 1" screw. Top hinges have adjustable nylon cams. Strike-keeper and throw latch are extruded clear anodized aluminum. Three heavy-duty aluminum brackets are used at the panel to wall connection and a full-height continuous aluminum channel is used at the panel to pilaster connection. Inswing doors shall be fitted with a zinc die cast, #4 brushed combined coat hook and bumper. Outswing doors shall be fitted with a #4 brushed stainless steel flat coat hook. Fasteners are theft-proof 6-lobe security head stainless steel screws. Hadrian hardware meets ADA and Canadian barrier-free requirements.

1 . 0 8 Finish

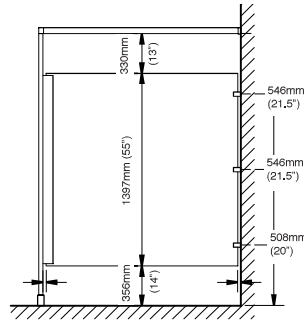
Doors, panels and pilasters shall be certified CLASS B polyethylene with uniform color throughout. Color shall be as selected from options provided by ToiletPartitions.com.



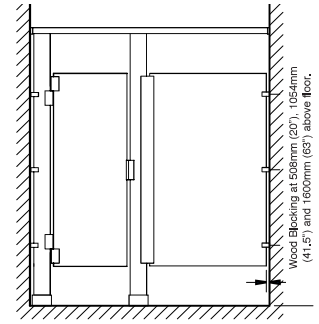
Headrail Braced
STANDARD
Solid Plastic Toilet Partitions



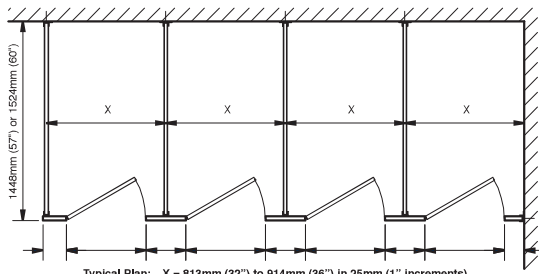
front elevation



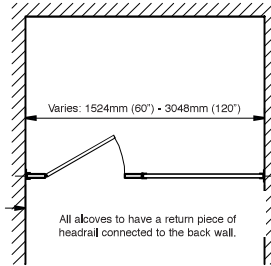
side elevation



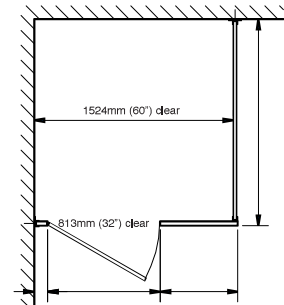
alcove elevation



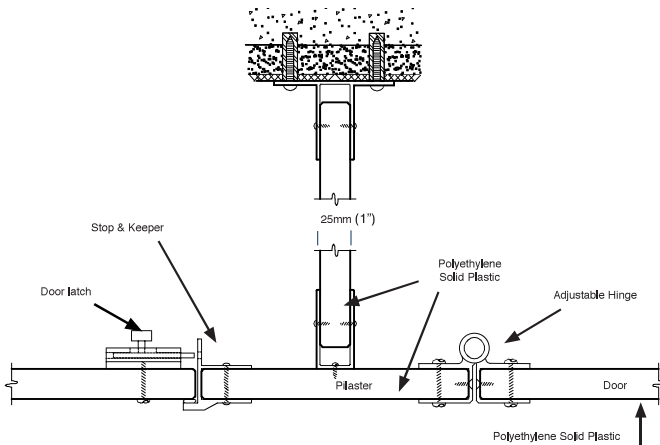
plan



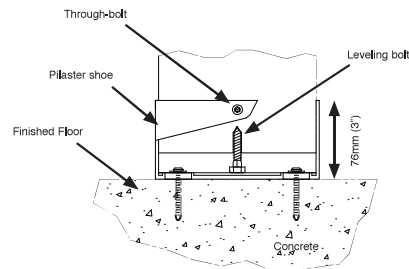
alcove plan



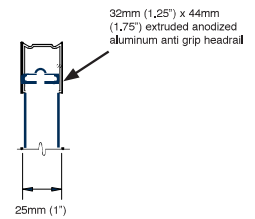
barrier-free plan



plan detail A-A



section C-C



section -B-B

Important Note:

Refer to final drawings for wood blocking information. Wood blocking is critical to ensure a rigid installation.