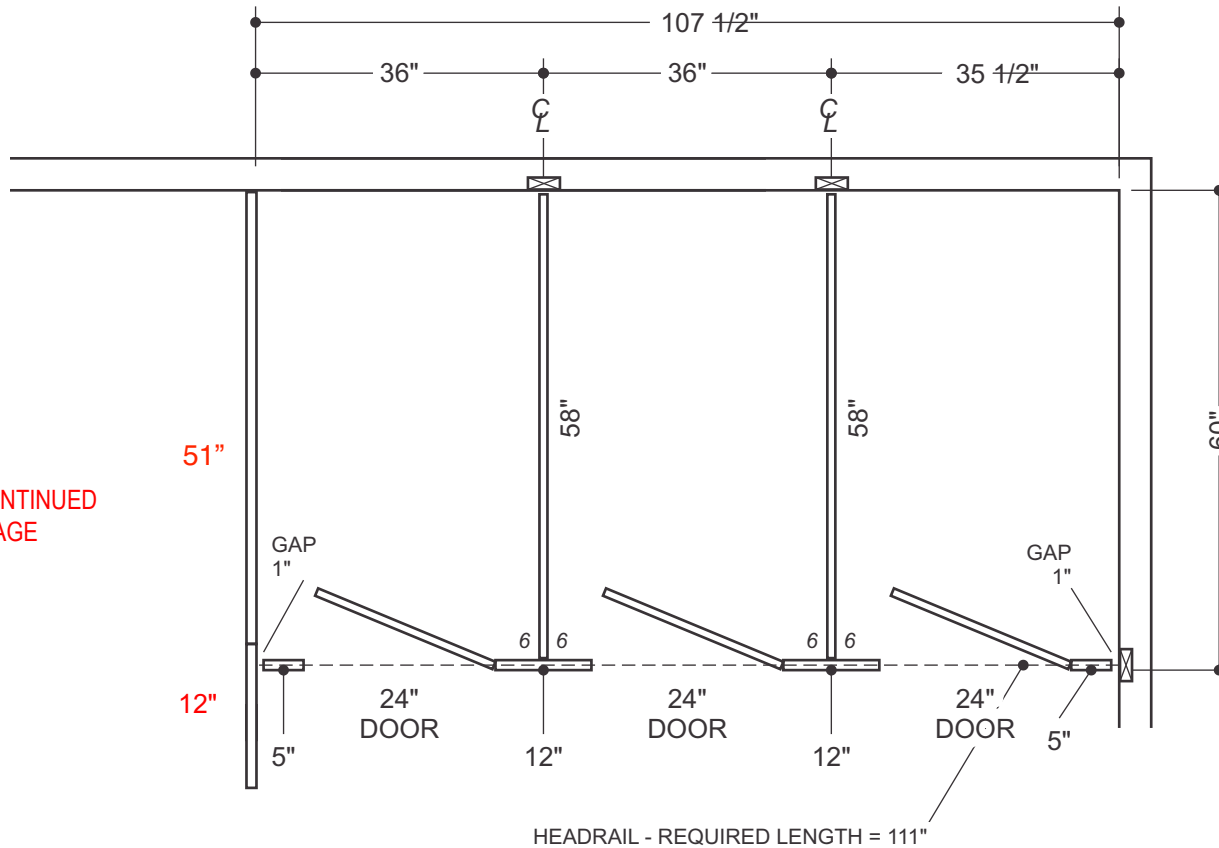


BOYS RESTROOM 116 - 1 THUS



PROJECT NAME: TIERRASANTA ES	BRACKETS: STIRRUP ALUMINUM	STYLE: OVERHEAD BRACED
	HINGES.: 8" WRAP AROUND	MAT'L: SOLID PLASTIC
	CUSTOMER: FRY SPECIALTY	HDWR: STIRRUP ALUMINUM
	DRAWN BY: CARLOS ACCUTEC	DOOR & PANEL HEIGHT: 55"
DATE: 5/09/2024	ROOM HEIGHT:	

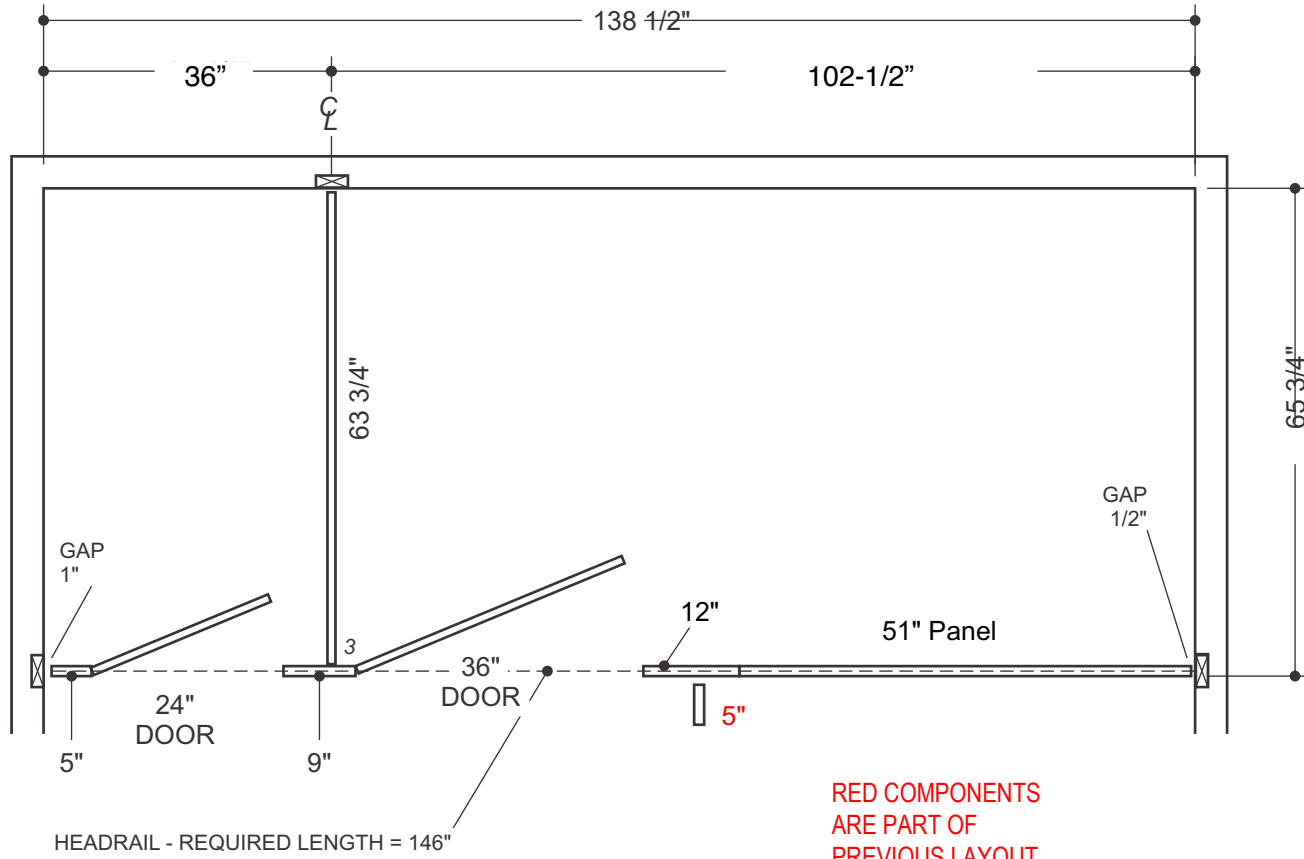


LAYOUT CONTINUED
ON NEXT PAGE

GIRLS RESTROOM 117 - 1 THUS



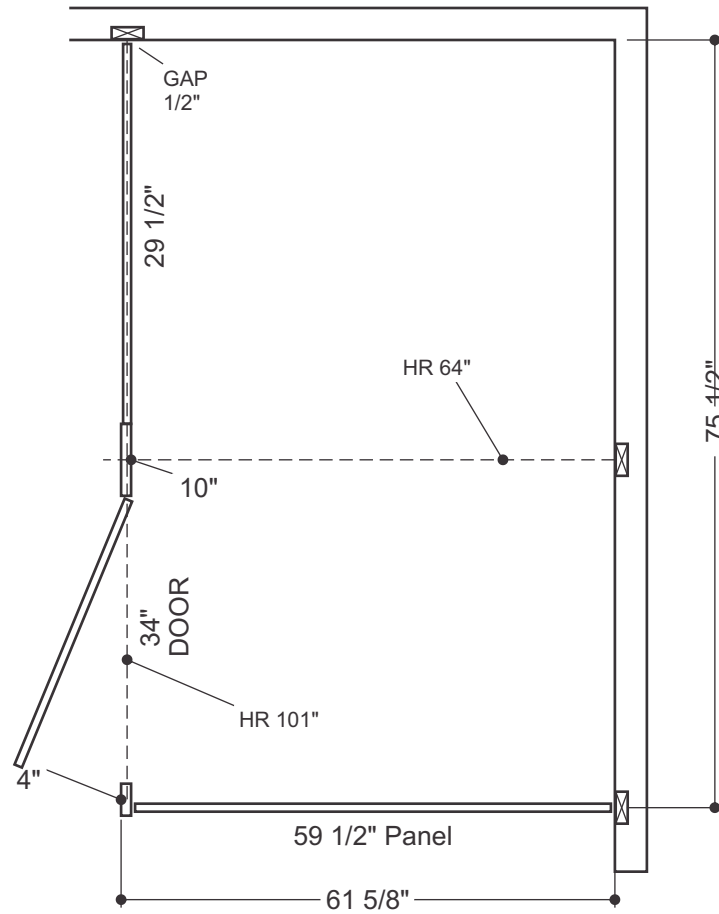
PROJECT NAME: TIERRASANTA ES	BRACKETS: STIRRUP ALUMINUM	STYLE: OVERHEAD BRACED
CUSTOMER: FRY SPECIALTY	HINGES.: 8" WRAP AROUND	MAT'L: SOLID PLASTIC
DRAWN BY: CARLOS ACCUTEC	SHOES.: STAINLESS STEEL	HDWR: STIRRUP ALUMINUM
DATE: 5/09/2024	DOOR & PANEL HEIGHT: 55"	COLOR: TBD
	ROOM HEIGHT:	



117 CONT. - 1 THUS



PROJECT NAME: TIERRASANTA ES	BRACKETS: STIRRUP ALUMINUM	STYLE: OVERHEAD BRACED
CUSTOMER: FRY SPECIALTY	HINGES.: 8" WRAP AROUND	MAT'L: SOLID PLASTIC
DRAWN BY: CARLOS ACCUTEC	SHOES.: STAINLESS STEEL	HDWR: STIRRUP ALUMINUM
DATE: 5/09/2024	DOOR & PANEL HEIGHT: 55"	COLOR: TBD
	ROOM HEIGHT:	



GIRLS RESTROOM 208 - 1 THUS



PROJECT NAME:

TIERRASANTA ES

CUSTOMER: FRY SPECIALTY

DRAWN BY: CARLOS ACCUTEC

DATE: 5/09/2024

BRACKETS: STIRRUP ALUMINUM

HINGES.: 8" WRAP AROUND

SHOES.: STAINLESS STEEL

DOOR & PANEL HEIGHT: 55"

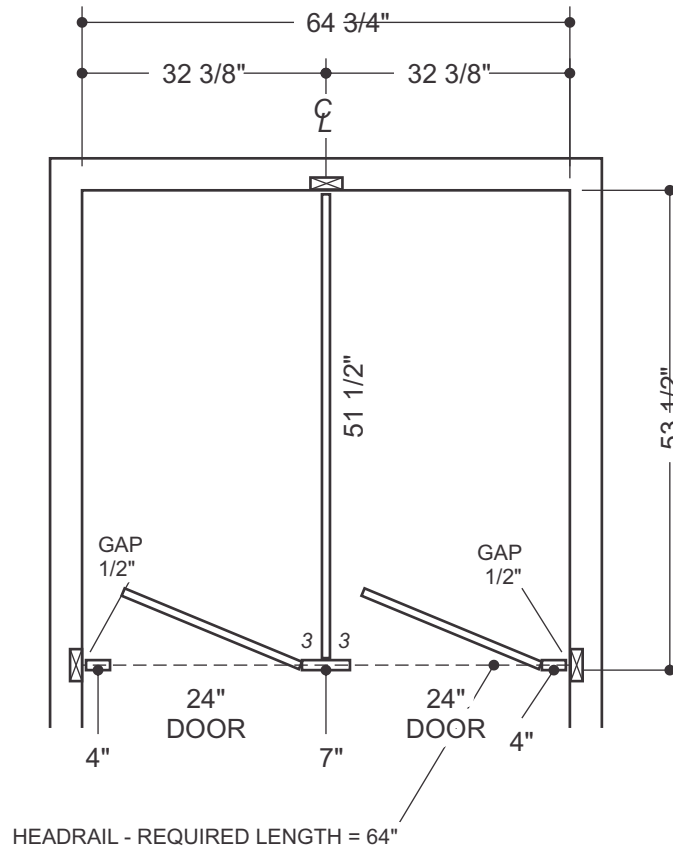
ROOM HEIGHT:

STYLE: OVERHEAD BRACED

MAT'L: SOLID PLASTIC

HDWR: STIRRUP ALUMINUM

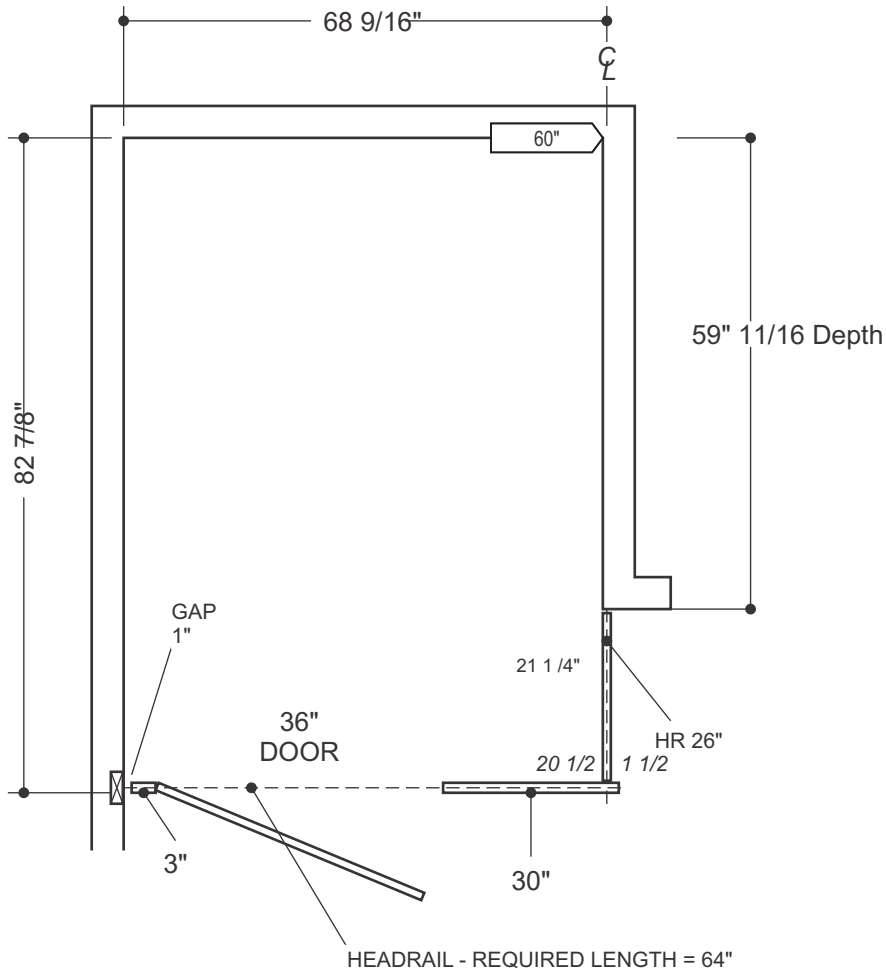
COLOR:
TBD



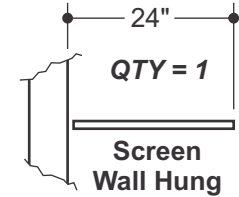
208 CONT. - 1 THUS



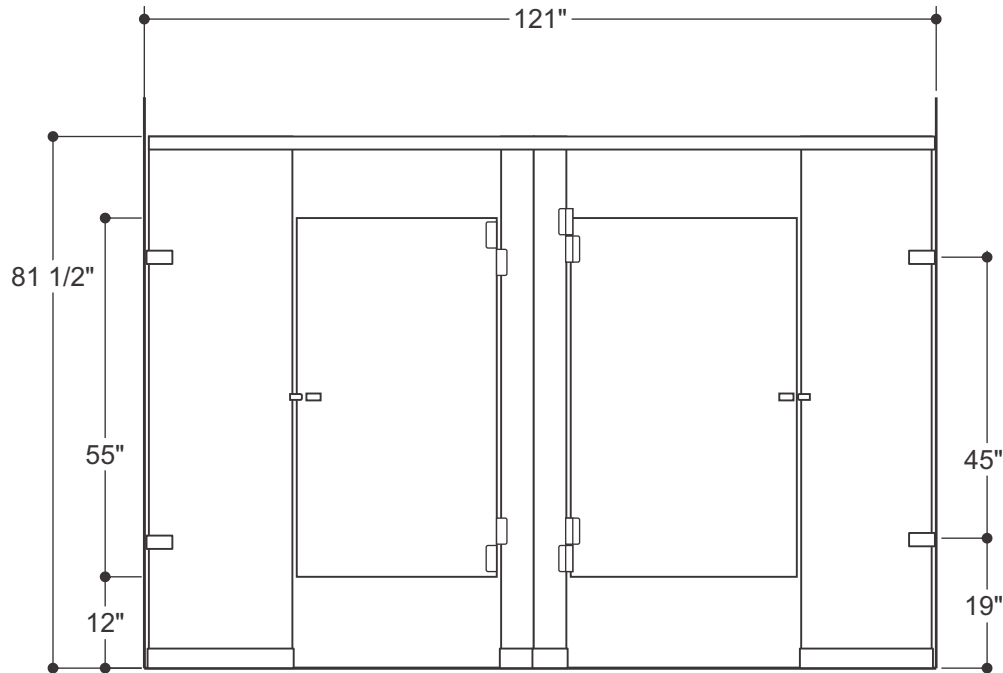
PROJECT NAME: TIERRASANTA ES	BRACKETS: STIRRUP ALUMINUM	STYLE: OVERHEAD BRACED
CUSTOMER: FRY SPECIALTY	HINGES.: 8" WRAP AROUND	MAT'L: SOLID PLASTIC
DRAWN BY: CARLOS ACCUTEC	SHOES.: STAINLESS STEEL	HDWR: STIRRUP ALUMINUM
DATE: 5/09/2024	DOOR & PANEL HEIGHT: 55"	COLOR: TBD
	ROOM HEIGHT:	



BOYS RESTROOM 207 - 1 THUS



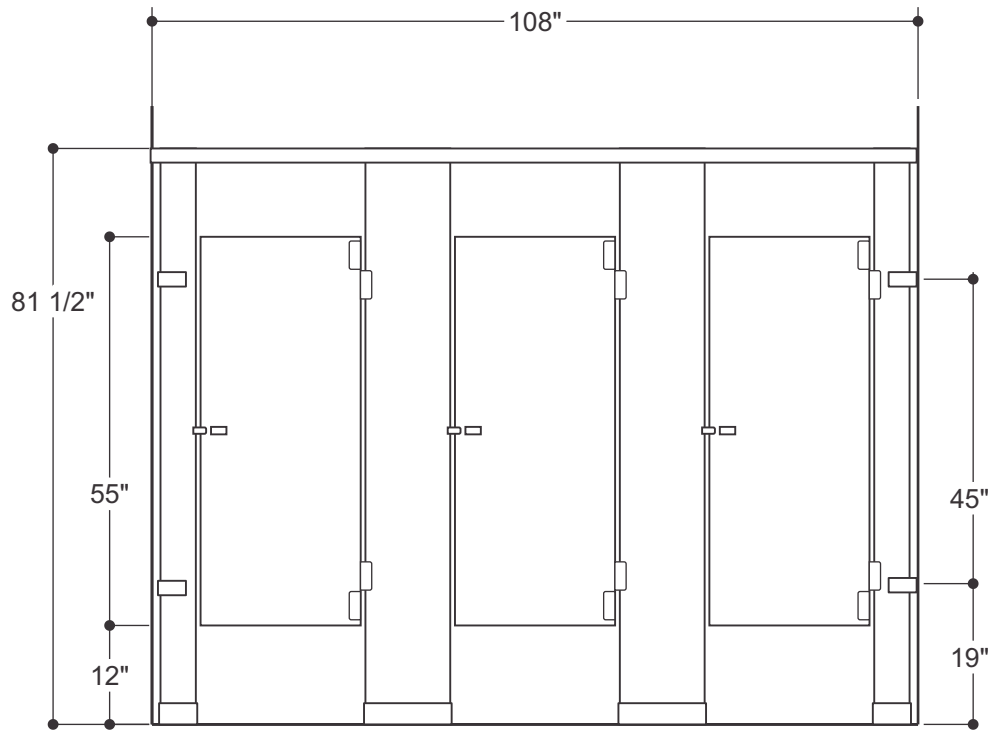
PROJECT NAME: TIERRASANTA ES	BRACKETS: STIRRUP ALUMINUM	STYLE: OVERHEAD BRACED
	HINGES.: 8" WRAP AROUND	MAT'L: SOLID PLASTIC
	CUSTOMER: FRY SPECIALTY	SHOES.: STAINLESS STEEL
	HDWR: STIRRUP ALUMINUM	COLOR: TBD
DRAWN BY: CARLOS ACCUTEC	DOOR & PANEL HEIGHT: 55"	
DATE: 5/09/2024	ROOM HEIGHT:	



BOYS RESTROOM 116 - 1 THUS



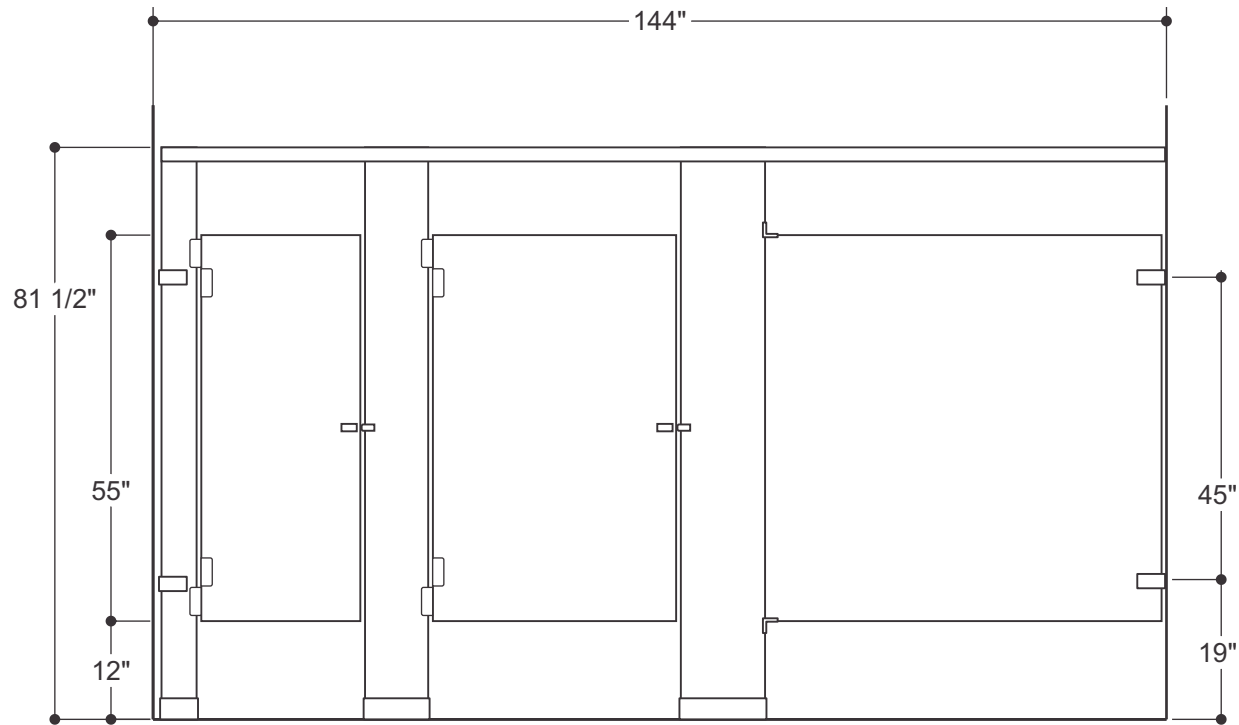
PROJECT NAME: TIERRASANTA ES	BRACKETS: STIRRUP ALUMINUM	STYLE: OVERHEAD BRACED
CUSTOMER: FRY SPECIALTY	HINGES.: 8" WRAP AROUND	MAT'L: SOLID PLASTIC
DRAWN BY: CARLOS ACCUTECH	SHOES.: STAINLESS STEEL	HDWR: STIRRUP ALUMINUM
DATE: 5/09/2024	DOOR & PANEL HEIGHT: 55"	COLOR: TBD
	ROOM HEIGHT:	



GIRLS RESTROOM 117 - 1 THUS



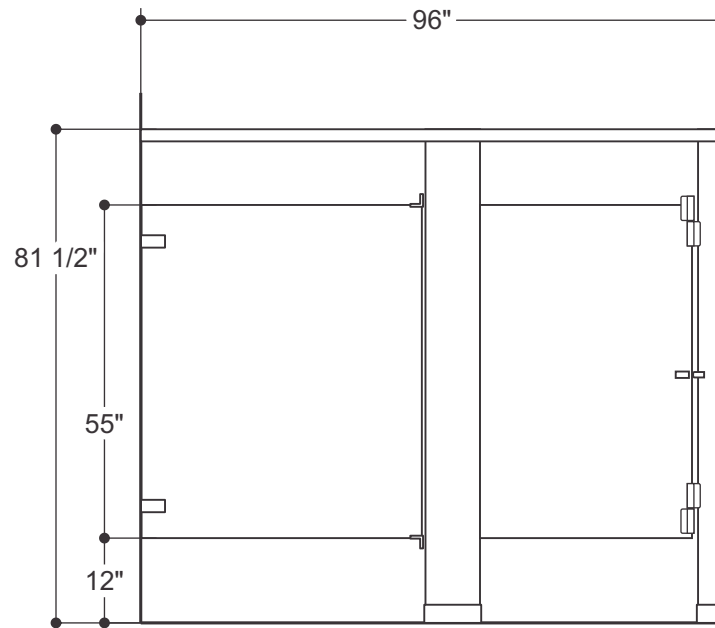
PROJECT NAME:	TIERRASANTA ES	BRACKETS: STIRRUP ALUMINUM	STYLE: OVERHEAD BRACED
CUSTOMER: FRY SPECIALTY	DRAWN BY: CARLOS ACCUTEC	HINGES.: 8" WRAP AROUND	MAT'L: SOLID PLASTIC
DATE: 5/09/2024	ROOM HEIGHT:	SHOES.: STAINLESS STEEL	HDWR: STIRRUP ALUMINUM
		DOOR & PANEL HEIGHT: 55"	COLOR: TBD



117 CONT. - 1 THUS



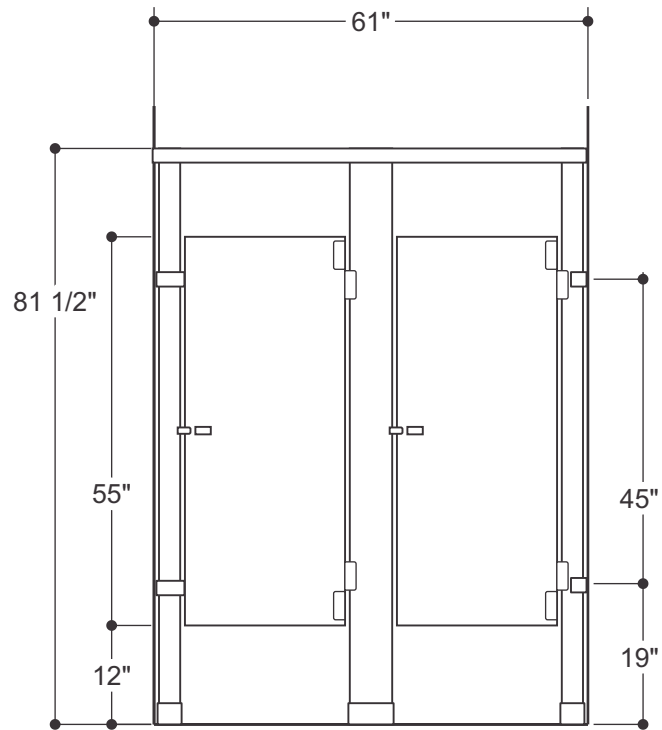
PROJECT NAME: TIERRASANTA ES	BRACKETS: STIRRUP ALUMINUM	STYLE: OVERHEAD BRACED	
	HINGES.: 8" WRAP AROUND	MAT'L: SOLID PLASTIC	
	CUSTOMER: FRY SPECIALTY	SHOES.: STAINLESS STEEL	HDWR: STIRRUP ALUMINUM
	DRAWN BY: CARLOS ACCUTEC	DOOR & PANEL HEIGHT: 55"	COLOR: TBD
	DATE: 5/09/2024	ROOM HEIGHT:	



GIRLS RESTROOM 208 - 1 THUS



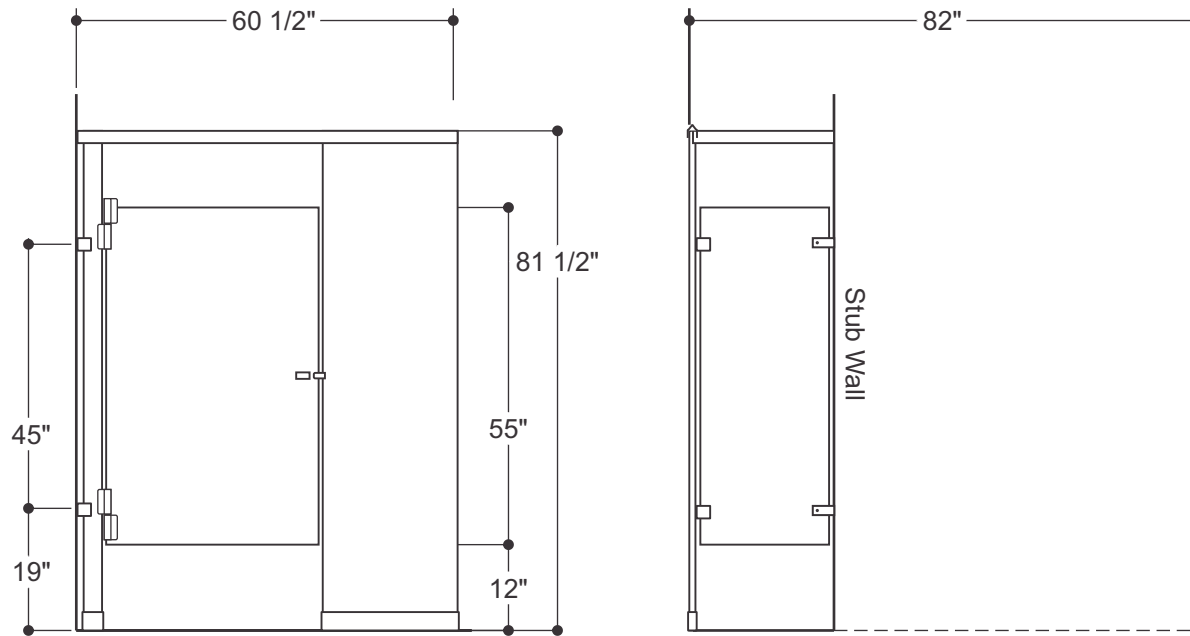
PROJECT NAME: TIERRASANTA ES	BRACKETS: STIRRUP ALUMINUM	STYLE: OVERHEAD BRACED	
	HINGES.: 8" WRAP AROUND	MAT'L: SOLID PLASTIC	
	CUSTOMER: FRY SPECIALTY	SHOES.: STAINLESS STEEL	HDWR: STIRRUP ALUMINUM
	DRAWN BY: CARLOS ACCUTEC	DOOR & PANEL HEIGHT: 55"	COLOR: TBD
	DATE: 5/09/2024	ROOM HEIGHT:	



208 CONT. - 1 THUS



PROJECT NAME: TIERRASANTA ES	BRACKETS: STIRRUP ALUMINUM	STYLE: OVERHEAD BRACED
CUSTOMER: FRY SPECIALTY	HINGES.: 8" WRAP AROUND	MAT'L: SOLID PLASTIC
DRAWN BY: CARLOS ACCUTEC	SHOES.: STAINLESS STEEL	HDWR: STIRRUP ALUMINUM
DATE: 5/09/2024	DOOR & PANEL HEIGHT: 55"	COLOR: TBD
	ROOM HEIGHT:	



BOYS RESTROOM 207 - 1 THUS



PROJECT NAME: TIERRASANTA ES	BRACKETS: STIRRUP ALUMINUM	STYLE: OVERHEAD BRACED	
	HINGES.: 8" WRAP AROUND	MAT'L: SOLID PLASTIC	
	CUSTOMER: FRY SPECIALTY	SHOES.: STAINLESS STEEL	HDWR: STIRRUP ALUMINUM
	DRAWN BY: CARLOS ACCUTEC	DOOR & PANEL HEIGHT: 55"	COLOR: TBD
	DATE: 5/09/2024	ROOM HEIGHT:	